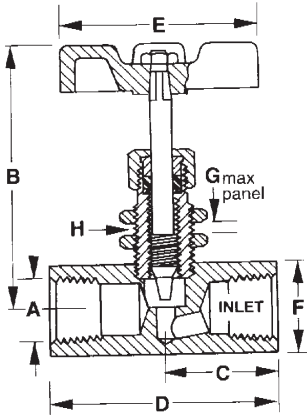
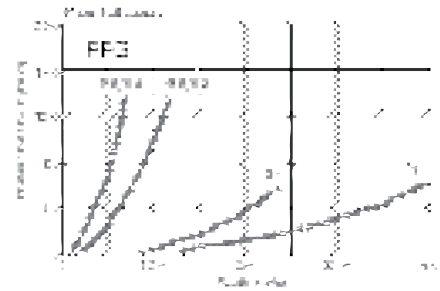


## NEEDLE VALVES HEAVY DUTY, HIGH PRESSURE

- Up to 10,000 PSI
- Heavy Duty construction for added strength and safety
- Carbon Steel valves are zinc plated and sealed with black chromate for corrosion protection
- Machined from carbon, 303 stainless steel
- Available in globe and angle configuration; in-line or panel mounted



Performance



### ORDERING INFORMATION

Part Number	Body Material	A (NPT) Female	B (In.) Max.	C (In.)	D (In.)	E (In.)	F (In.) Square	G (In.)	H (In.) Diam.	Orifice Diam. (In.)	CV
DFFG2001T	Carbon Steel	1/8	3 1/2	31/32	1 15/16	2 1/2	7/8	3/8	5/8	7/22	.66
DFFG2002T		1/4		1 1/32	2 1/16		1 1/8				
DFFG2003T		3/8	1 7/16	2 3/4	3/4		.70				
DFFG2004T		1/2	3 5/8	1 13/16	3 5/8	4 1/4		1 1/2	7/8	1 1/2	9/16
DFFG2006TA		3/4	5 3/16	2 1/32	4 1/16	2	5.22				
DFFG2008TA		1	5 5/16	2 1/32	4 1/16	4 1/4	2	7/8	1 1/2	9/16	5.22
DFFG2002SST	303 Stainless Steel	1/4	3 1/2	1 1/32	2 1/16	2 1/2	7/8	3/8	5/8	7/32	.66
DFFG2003SST		3/8	3 5/8	1 7/16	2 3/4		1 1/8		3/4		
DFFG2004SST		1/2	3 5/8	1 7/16	2 3/4		1 1/8	3/4			
DFFG2006SSTA		3/4	5 3/16	1 13/16	3 5/8	4 1/4	1 1/2	7/8	1 1/2	9/16	3.90
DFFG2008SSTA		1	5 5/16	2 1/32	4 1/16	2	5.22				