

**JP-FC Series  
Flow Control Valves**



**Features**

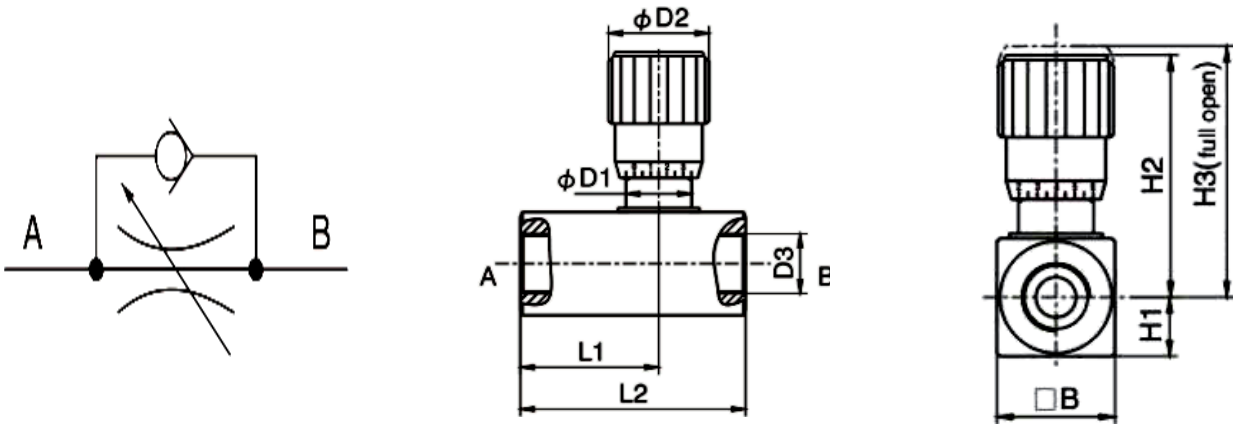
Micrometer adjustment knob for accurate valve setting  
Rugged construction

**Technical Data**

Materials: Body: Carbon steel with black oxide plating  
Handle: Zinc Alloy  
Set Screw: Steel  
Packing: Buna O-Ring/PTFE stem packing

Maximum Pressure: 5000 PSI

Temperature Range: -4°F to 176°F (-20°C to 80°C)



**Ordering & Dimensional Information**

Part Number	B	D1	D2	D3	H1	H2	H3	L1	L2	Weight
JP-FC-1/4-NPT-S	1.10	0.76	1.18	1/4 NPT	0.55	2.41	2.67	1.54	2.52	0.90 lbs
JP-FC-3/8-NPT-S	1.10	0.76	1.18	3/8 NPT	0.55	2.41	2.67	1.69	2.75	0.90 lbs
JP-FC-1/2-NPT-S	1.50	0.95	1.46	1/2 NPT	0.75	3.07	3.41	2.05	3.27	2.00 lbs
JP-FC-3/4-NPT-S	1.50	0.95	1.46	3/4 NPT	0.75	3.08	3.41	2.19	3.50	2.00 lbs
JP-FC-1-NPT-S	1.89	1.38	1.89	1 NPT	0.94	4.03	4.50	2.79	4.60	4.20 lbs
JP-FC-1 1/4-NPT-S	2.38	1.96	2.28	1 1/4 NPT	1.18	5.25	5.88	3.39	6.07	9.55 lbs
JP-FC-06-SAE-S	1.10	0.76	1.18	06 SAE	0.55	2.41	2.67	1.69	2.75	0.90 lbs