

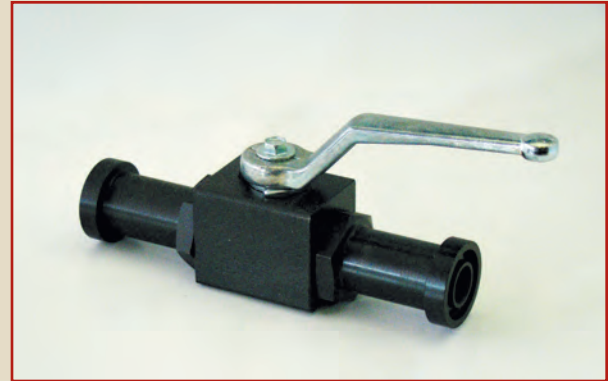
# Code 61/62 Split Flange Ball Valves

## SPECIFICATIONS

- Block body
- Full port
- Code 61/62 split flange ends
- Delrin ball seats
- Viton O-Rings
- Temp range -20°F to 215°F
- Black oxide coating
- Nickel plated ball

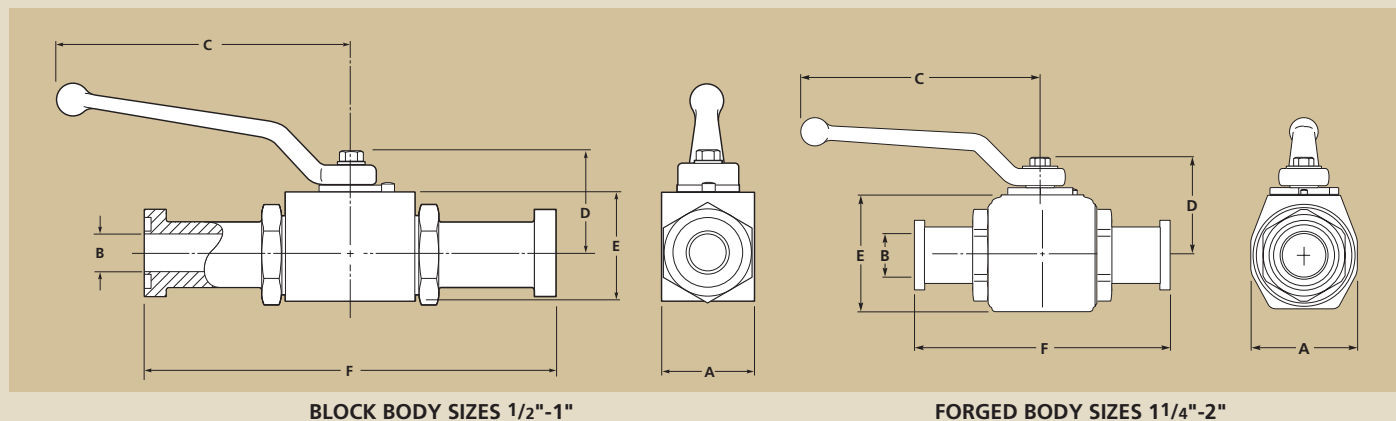
## OPTIONS

- Lock kits
- Actuator packages
- Straight handles
- Red aluminum handles
- Special ball seats and seals for higher temperature and aggressive applications
- Stainless steel



**SPLIT FLANGE**

SIZE	PART NUMBER	WORKING PRESSURE			CODE	FLANGE SIZE	DIMENSIONS (IN.)					
		PSI	BAR				A	B	C	D	E	F
1/2	BKH-13-SAE-3000-S-1125	4630	315		61	1/2"	1.37	.49	4.21	1.32	1.57	5.95
1/2	BKH-13-SAE-6000-S-1125	5880	400		62	1/2"	1.37	.49	4.21	1.32	1.57	5.95
3/4	BKH-20-SAE-3000-S-1125	4630	315		61	3/4"	1.93	.75	6.50	1.90	2.24	6.38
3/4	BKH-20-SAE-6000-S-1125	5880	400		62	3/4"	1.93	.75	6.50	1.90	2.24	6.85
1	BKH-25-SAE-3000-S-1125	4630	315		61	1"	2.36	.95	6.50	1.95	2.36	7.01
1	BKH-25-SAE-6000-S-1125	5880	400		62	1"	2.36	.95	6.50	1.95	2.36	7.80
1 1/4	SKH-32-SAE-3000-S-3125	3675	250		61	1 1/4"	2.99	1.25	8.30	2.60	3.30	7.50
1 1/4	SKH-32-SAE-6000-S-3125	5880	400		62	1 1/4"	2.99	1.25	8.30	2.60	3.30	8.78
1 1/2	SKH-40-SAE-3000-S-3125	2940	200		61	1 1/2"	3.27	1.50	8.30	2.74	3.62	9.10
1 1/2	SKH-40-SAE-6000-S-3125	5880	400		62	1 1/2"	3.27	1.50	8.30	2.74	3.62	11.07
2	SKH-50-SAE-3000-S-3125	2940	200		61	2"	3.94	1.89	8.30	3.15	4.37	9.14
2	SKH-50-SAE-6000-S-3125	5880	400		62	2"	3.94	1.89	8.30	3.15	4.37	12.44



See page 65 for full safety information.