

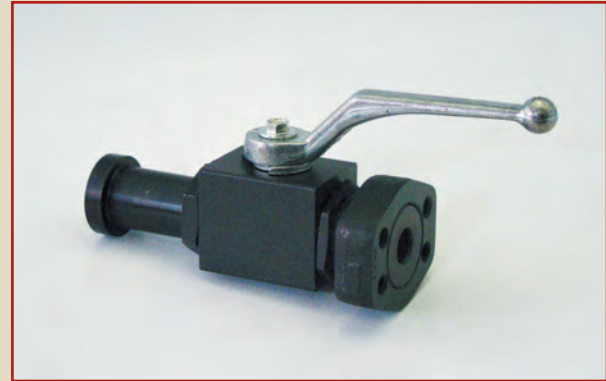
# Code 61/62 Split x Full Flange Combination Ball Valves

## SPECIFICATIONS

- Block body
- Full port
- Code 61/62 full flange ends
- Delrin ball seats
- Buna-N O-Rings
- Temp range -20°F to 215°F
- Black oxide coating
- Nickel plated ball

## OPTIONS

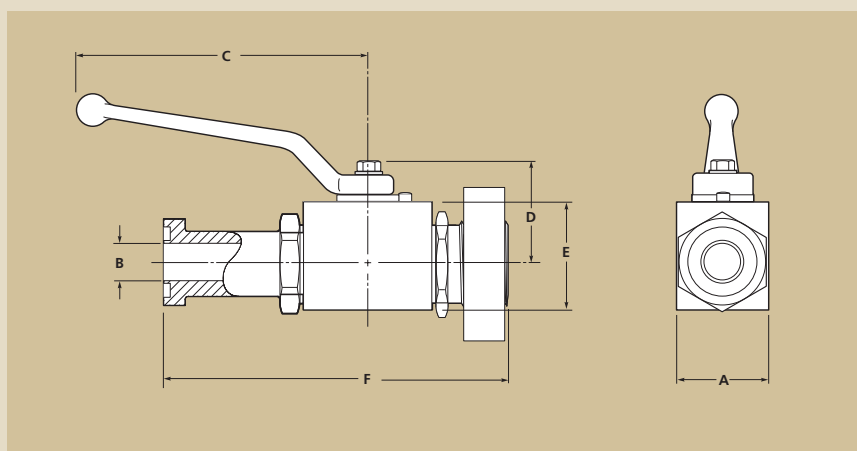
- Lock kits
- Actuator packages
- Straight handles
- Red aluminum handles
- Special ball seats and seals for higher temperature and aggressive applications
- Stainless steel



**SPLIT x FULL FLANGE**

SIZE	PART NUMBER	WORKING PRESSURE			FLANGE SIZE	DIMENSIONS (IN.)							
		PSI	BAR	CODE		A	B	C	D	E	F	METRIC	UNC
1/2	BKH-13-SAE-3000-D/S-1123	4630	315	61	1/2"	1.37	.49	4.21	1.32	1.57	5.02	M8	5/16-18
1/2	BKH-13-SAE-6000-D/S-1123	5880	400	62	1/2"	1.37	.49	4.21	1.32	1.57	5.02	M8	5/16-18
3/4	BKH-20-SAE-3000-D/S-1123	4630	315	61	3/4"	1.93	.75	6.50	1.90	2.24	5.57	M10	3/8-16
3/4	BKH-20-SAE-6000-D/S-1123	5880	400	62	3/4"	1.93	.75	6.50	1.90	2.24	5.81	M10	3/8-16
1	BKH-25-SAE-3000-D/S-1123	4630	315	61	1"	2.36	.95	6.50	1.95	2.36	6.31	M10	3/8-16
1	BKH-25-SAE-6000-D/S-1123	5880	400	62	1"	2.36	.95	6.50	1.95	2.36	6.52	M10	7/16-14
1 1/4	SKH-32-SAE-3000-D/S-3123	3675	250	61	1 1/4"	2.99	1.25	8.30	2.60	3.30	6.95	M10	7/16-14
1 1/4	SKH-32-SAE-6000-D/S-3123	5880	400	62	1 1/4"	2.99	1.25	8.30	2.60	3.30	7.60	M14	1/2-13
1 1/2	SKH-40-SAE-3000-D/S-3123	2940	200	61	1 1/2"	3.27	1.50	8.30	2.74	3.62	7.86	M12	1/2-13
1 1/2	SKH-40-SAE-6000-D/S-3123	5880	400	62	1 1/2"	3.27	1.50	8.30	2.74	3.62	8.86	M16	5/8-11
2	SKH-50-SAE-3000-D/S-3123	2940	200	61	2"	3.94	1.89	8.30	3.15	4.37	8.32	M12	1/2-13
2	SKH-50-SAE-6000-D/S-3123	5880	400	62	2"	3.94	1.89	8.30	3.15	4.37	9.89	M20	3/4-10

NOTE: Valves come standard with metric bolt holes. For UNC bolt holes, add -UNC to end of part number.  
NOTE: Sizes 1/2"-1" are block body, sizes 1 1/4"-2" are forged body.



See page 65 for full safety information.