



# FCKH Series Direct Mount Flanged Ball Valves

## SPECIFICATIONS

- 1"-4" sizes
- Floating ball
- Code 61/62 connections
- Delrin ball seats
- Buna-N-O-Rings
- Temp range -20°F to 215°F

## APPLICATIONS

- Hydraulic
- Gas industry
- Environmental industry
- Petrochemical

## OPTIONS

- Lock kits
- Actuator packages
- Stainless steel

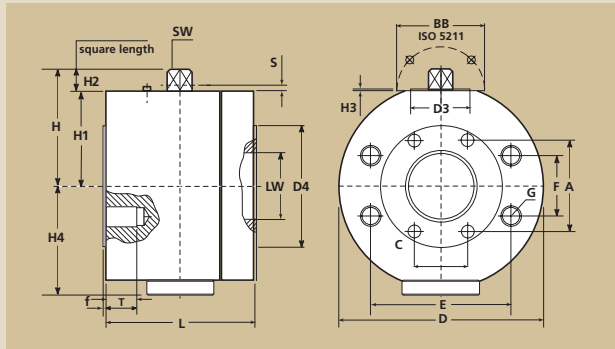


## DIRECT MOUNT

### CODE 61/62 COMBINATION

WORKING PRESSURE \_\_\_\_\_ DIMENSIONS (IN.) \_\_\_\_\_

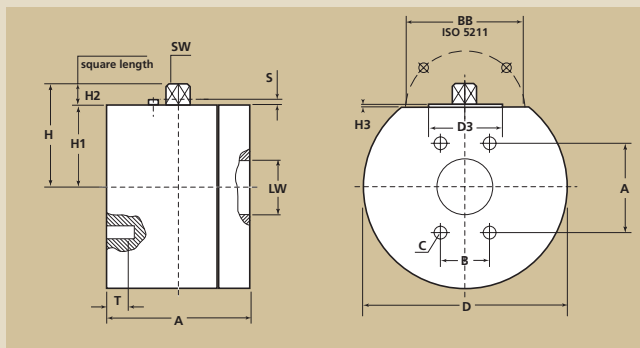
SIZE	PART NUMBER	PSI	BAR	L	D	H	H1	H2	SW	D3	E	F	G METRIC	G UNC
1	FCKH-DN25-SAE-3/6-3123-1	5800	400	3.5	4.69	2.46	1.76	.59	.56	2.17	2.26	1.10	M12	7/16-14
1 1/4	FCKH-DN32-SAE-3/6-3123-1	5800	400	4.5	5.48	3.15	2.30	.73	.67	1.38	2.63	1.26	M14	1/2-13
1 1/2	FCKH-DN40-SAE-3/6-3123-1	5800	400	4.5	6.26	3.32	2.48	.73	.67	1.38	3.13	1.44	M16	5/8-11
2	FCKH-DN50-SAE-3/6-3123-1	5800	400	5.0	7.05	3.62	2.77	.73	.67	1.38	3.82	1.76	M20	3/4-10



### CODE 61

WORKING PRESSURE \_\_\_\_\_ DIMENSIONS (IN.) \_\_\_\_\_

SIZE	PART NUMBER	PSI	BAR	L	D	D4	F	H	H1	H2	SW	A	B	G METRIC	G UNC
2 1/2	FCKH-DN65-SAE-3000-3123-1	2300	160	5.9	7.37	4.57	.02	4.37	3.51	.83	.75	3.50	2.00	M12	1/2-13
3	FCKH-DN80-SAE-3000-3123-1	2300	160	6.9	8.15	5.59	.02	4.96	3.90	1.03	.87	4.19	2.44	M14	5/8-11
4	FCKH-DN100-SAE-3000-3123-1	500	35	7.5	9.73	6.78	.02	5.83	4.51	1.22	1.07	5.13	3.07	M16	5/8-11



See page 65 for full safety information.

VALVES