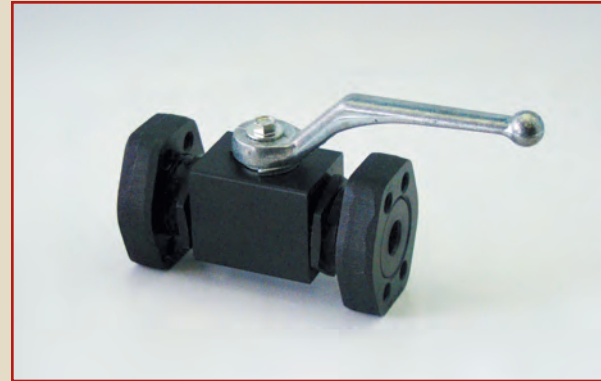


SPECIFICATIONS

- Block body
- Full port
- Code 61/62 full flange ends
- Delrin ball seats
- Buna-N O-Rings
- Temp range -20°F to 215°F
- Black oxide coating
- Nickel plated ball

OPTIONS

- Lock kits
- Actuator packages
- Straight handles
- Red aluminum handles
- Special ball seats and seals for higher temperature and aggressive applications
- Stainless steel



FULL FLANGE

WORKING PRESSURE

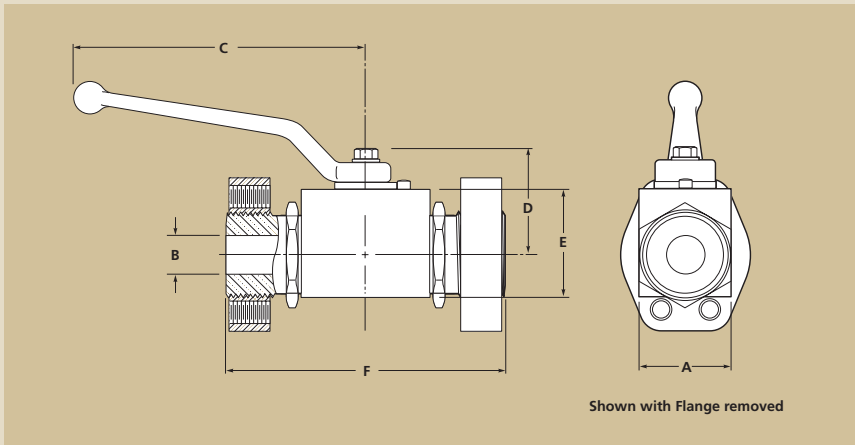
DIMENSIONS (IN.)

SIZE	PART NUMBER	CODE	FLANGE SIZE	PSI	BAR	A	B	C	D	E	F	METRIC	UNC
1/2	BKH-13-SAE-3000-F-1123	61	1/2"	4630	315	1.37	.49	4.21	1.32	1.57	4.09	M8	5/16-18
1/2	BKH-13-SAE-6000-F-1123	62	1/2"	5880	400	1.37	.49	4.21	1.32	1.57	4.09	M8	5/16-18
3/4	BKH-20-SAE-3000-F-1123	61	3/4"	4630	315	1.93	.75	6.50	1.90	2.24	4.76	M10	3/8-16
3/4	BKH-20-SAE-6000-F-1123	62	3/4"	5880	400	1.93	.75	6.50	1.90	2.24	4.76	M10	3/8-16
1	BKH-25-SAE-3000-F-1123	61	1"	4630	315	2.36	.95	6.50	1.95	2.36	5.24	M10	3/8-16
1	BKH-25-SAE-6000-F-1123	62	1"	5880	400	2.36	.95	6.50	1.95	2.36	5.24	M10	7/16-14
1 1/4	SKH-32-SAE-3000-F-3123	61	1 1/4"	3675	250	2.99	1.25	8.30	2.60	3.30	6.42	M10	7/16-14
1 1/4	SKH-32-SAE-6000-F-3123	62	1 1/4"	5880	400	2.99	1.25	8.30	2.60	3.30	6.42	M14	1/2-13
1 1/2	SKH-40-SAE-3000-F-3123	61	1 1/2"	2940	200	3.27	1.50	8.30	2.74	3.62	6.61	M12	1/2-13
1 1/2	SKH-40-SAE-6000-F-3123	62	1 1/2"	5880	400	3.27	1.50	8.30	2.74	3.62	6.61	M16	5/8-11
2	SKH-50-SAE-3000-F-3123	61	2"	2940	200	3.94	1.89	8.30	3.15	4.37	7.32	M12	3/4-10
2	SKH-50-SAE-6000-F-3123	62	2"	5880	400	3.94	1.89	8.30	3.15	4.37	7.32	M20	3/4-10
2	SKH-65/50-SAE-3000-F-3123	61	2 1/2"	2350	160	3.94	1.89	8.30	3.15	4.37	6.85	M12	1/2-13

NOTE: Valves come standard with metric bolt holes. For UNC bolt holes, add -UNC to end of part number.

NOTE: Sizes 1/2"-1" are block body, sizes 1 1/4"-2" are forged body.

VALVES



See page 65 for full safety information.