

HRKH Series Ultra High-Pressure Ball Valves

SPECIFICATIONS

- Carbon steel
- NPT threads
- Delrin ball seats
- Buna-N O-Rings
- Temp range -20°F to 215°F
- Nickel plated ball

OPTIONS

- Actuator packages
- Stainless handles
- Special ball seats and seals for higher temperature and aggressive applications



STEEL

WORKING PRESSURE DIMENSIONS (IN.)

SIZE	THREAD	PART NUMBER	PSI	BAR	A	B	C	D	E	F
1/4	1/4 NPT	HRKH-14-NPT-3923	11,760	800	2.33	.24	4.21	1.61	2.33	3.86
3/8	3/8 NPT	HRKH-38-NPT-3923	11,760	800	2.33	.35	4.21	1.61	2.33	3.86
1/2	1/2 NPT	HRKH-12-NPT-3923	11,760	800	2.33	.35	4.21	1.61	2.33	3.86
3/4	3/4 NPT	HRKH-34-NPT-3923	11,760	800	3.11	.51	6.49	2.20	3.11	4.49
1	1 NPT	HRKH-1-NPT-3923	11,760	800	3.11	.67	6.49	2.50	3.70	4.73

HRKH SERIES

SPECIFICATIONS

- 316 Stainless steel
- NPT threads
- Delrin ball seats
- Viton O-Rings
- Temp range -20°F to 215°F
- Stainless ball

OPTIONS

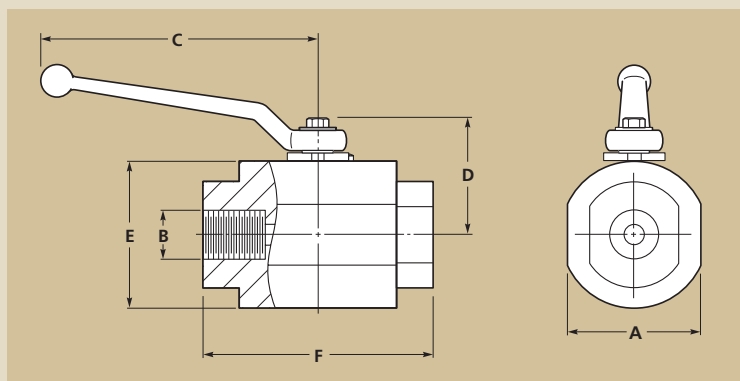
- Actuator packages
- Stainless handles
- Red aluminum handles
- Special ball seats and seals for higher temperature and aggressive applications

STAINLESS STEEL

WORKING PRESSURE DIMENSIONS (IN.)

SIZE	THREAD	PART NUMBER	PSI	BAR	A	B	C	D	E	F
1/4	1/4 NPT	HRKH-14-NPT-4425	10,150	700	2.33	.24	4.21	1.61	2.33	3.86
3/8	3/8 NPT	HRKH-38-NPT-4425	10,150	700	2.33	.35	4.21	1.61	2.33	3.86
1/2	1/2 NPT	HRKH-12-NPT-4425	10,150	700	2.33	.35	4.21	1.61	2.33	3.86
3/4	3/4 NPT	HRKH-34-NPT-4425	10,150	700	3.11	.51	6.49	2.20	3.11	4.49
1	1 NPT	HRKH-1-NPT-4425	10,150	700	3.11	.67	6.49	2.50	3.70	4.73

VALVES



See page 65 for full safety information.