

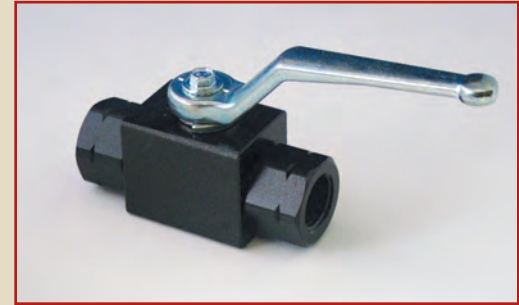
Two-Way High Pressure Ball Valves

SPECIFICATIONS

- Block body
- Full port, sizes 1/4 - 1"
- Reduced port, sizes 1 1/4 - 1 1/2"
- NPT – ORB – BSP connections
- Delrin ball seats
- Viton® O-Rings
- Black oxide coating
- Temp range -20°F to 215°F
- Nickel plated ball

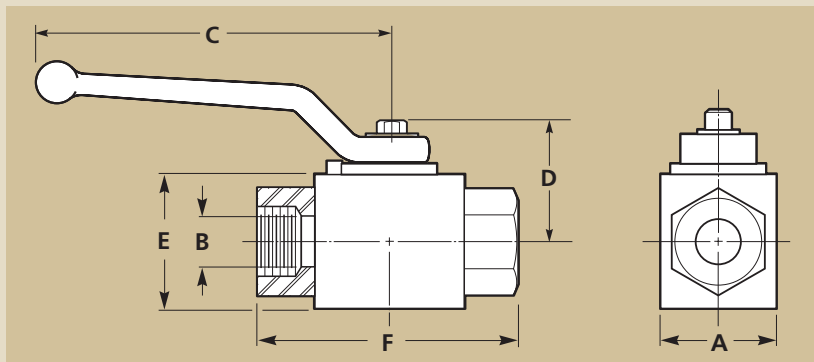
OPTIONS

- Lock kits
- Actuator packages
- Straight handles
- Red aluminum handles
- Special ball seats and seals for higher temperature and aggressive applications
- Mounting holes



NBKH SERIES

SIZE	THREAD	PART NUMBER	WORKING PRESSURE		DIMENSIONS (IN.)					
			PSI	BAR	A	B	C	D	E	F
1/4	1/4 NPT	NBKH-14-NPT-1125	7350	500	1.02	.24	4.21	1.20	1.26	2.72
1/4	1/4 BSPP	NBKH-14-BSP-1125	7350	500	1.02	.24	4.21	1.20	1.26	2.72
1/4	7/16-20 ORB	NBKH-14-SAE-1125	7350	500	1.02	.24	4.21	1.20	1.26	2.72
3/8	3/8 NPT	NBKH-38-NPT-1125	7350	500	1.26	.39	4.21	1.29	1.50	2.87
3/8	3/8 BSPP	NBKH-38-BSP-1125	7350	500	1.26	.39	4.21	1.29	1.50	2.87
3/8	9/16-18 ORB	NBKH-38-SAE-1125	7350	500	1.26	.39	4.21	1.29	1.50	2.87
1/2	1/2 NPT	NBKH-12-NPT-1125	7350	500	1.38	.51	4.21	1.31	1.57	3.62
1/2	1/2 BSPP	NBKH-12-BSP-1125	7350	500	1.38	.51	4.21	1.31	1.57	3.62
1/2	3/4-16 ORB	NBKH-12-SAE-1125	7350	500	1.38	.51	4.21	1.31	1.57	3.62
3/4	3/4 NPT	NBKH-34-NPT-1125	5880	400	1.93	.79	6.50	1.91	2.24	3.82
3/4	3/4 BSPP	NBKH-34-BSP-1125	5880	400	1.93	.79	6.50	1.91	2.24	3.82
3/4	1 1/16-12 ORB	NBKH-34-SAE-1125	5880	400	1.93	.79	6.50	1.91	2.24	3.82
1	1 NPT	NBKH-1-NPT-1125	5145	350	2.36	.94	6.50	1.95	2.36	4.45
1	1 BSPP	NBKH-1-BSP-1125	5145	350	2.36	.94	6.50	1.95	2.36	4.45
1	1 5/16-12 ORB	NBKH-1-SAE-1125	5145	350	2.36	.94	6.50	1.95	2.36	4.45
1x1 1/4	1 1/4 NPT	NBKH-114-NPT-1125	5145	350	2.36	.94	6.50	1.95	2.36	5.16
1x1 1/4	1 1/4 BSPP	NBKH-114-BSP-1125	5145	350	2.36	.94	6.50	1.95	2.36	5.16
1x1 1/4	1 5/8-12 ORB	NBKH-114-SAE-1125	5145	350	2.36	.94	6.50	1.95	2.36	5.16
1x1 1/2	1 1/2 NPT	NBKH-112-NPT-1125	5145	350	2.36	.94	6.50	1.95	2.36	5.47
1x1 1/2	1 1/2 BSPP	NBKH-112-BSP-1125	5145	350	2.36	.94	6.50	1.95	2.36	5.47
1x1 1/2	1 7/8-12 ORB	NBKH-112-SAE-1125	5145	350	2.36	.94	6.50	1.95	2.36	5.47



See page 65 for full safety information.