



# RKH Series 316 Stainless Steel Ball Valves

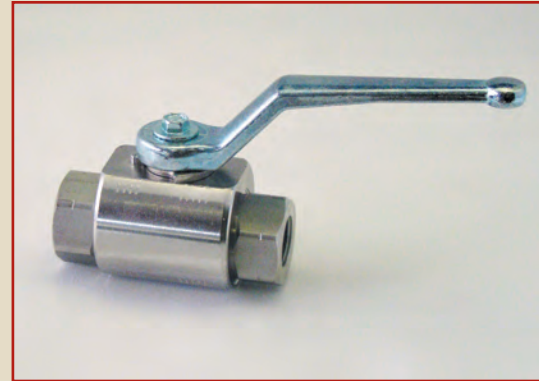
## SPECIFICATIONS

- All 316 Stainless steel body, stem & ball
- Full port
- NPT – ORB connections
- Delrin ball seats
- Viton O-Rings
- Temp range -20°F to 215°F

## OPTIONS

- Lock kits
- Actuator packages\*
- Stainless handles
- Red aluminum handles
- Special ball seats and seals for higher temperature and aggressive applications

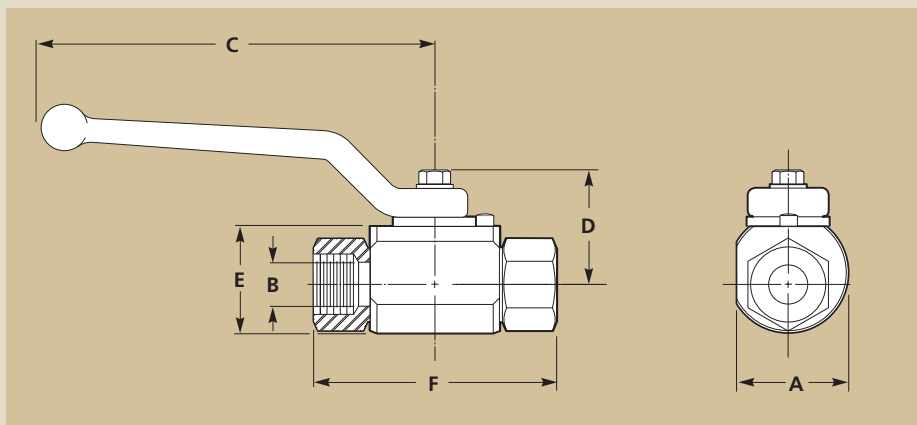
\* Stem stabilizer needed (-D) before actuators can be mounted. Contact PCI for details.



## RKH SERIES

SIZE	THREAD	PART NUMBER	WORKING PRESSURE		DIMENSIONS (IN.)					
			PSI	BAR	A	B	C	D	E	F
1/4	1/4 NPTF	RKH-14-NPT-4425	5880	400	1.02	.24	4.21	1.20	1.26	2.72
1/4	7/16-20 ORB	RKH-14-SAE-4425	5880	400	1.02	.24	4.21	1.20	1.26	2.72
3/8	3/8 NPTF	RKH-38-NPT-4425	5880	400	1.26	.39	4.21	1.29	1.50	2.87
3/8	9/16-18 ORB	RKH-38-SAE-4425	5880	400	1.26	.39	4.21	1.29	1.50	2.87
1/2	1/2 NPTF	RKH-12-NPT-4425	5880	400	1.38	.51	4.21	1.31	1.57	3.62
1/2	3/4-16 ORB	RKH-12-SAE-4425	5880	400	1.38	.51	4.21	1.31	1.57	3.62
3/4	3/4 NPTF	RKH-34-NPT-4425	5145	400	1.93	.79	6.50	1.91	2.24	3.82
3/4	1 1/16-12 ORB	RKH-34-SAE-4425	5145	400	1.93	.79	6.50	1.91	2.24	3.82
1	1 NPTF	RKH-1-NPT-4425	5145	400	2.36	.94	6.50	1.95	2.36	4.45
1	1 1/16-12 ORB	RKH-1-SAE-4425	5145	400	2.36	.94	6.50	1.95	2.36	4.45
1 1/4	1 1/4 NPTF	RKH-114-NPT-4425	5880	350	3.54	1.25	8.30	2.59	3.30	6.54
1 1/4	1 5/8-12 ORB	RKH-114-SAE-4425	5880	350	3.54	1.25	8.30	2.59	3.30	6.54
1 1/2	1 1/2 NPTF	RKH-112-NPT-4425	5880	350	3.26	1.49	8.30	2.73	3.62	7.14
1 1/2	1 7/8-12 ORB	RKH-112-SAE-4425	5880	350	3.26	1.49	8.30	2.73	3.62	7.14
2	2 NPTF	RKH-2-NPT-4425	5880	350	3.94	1.89	8.50	3.15	4.37	9.30
2	2 1/2-12 ORB	RKH-2-SAE-4425	5880	350	3.94	1.89	8.50	3.15	4.37	9.30

VALVES



See page 65 for full safety information.