



Two-Way High Pressure Ball Valves

SPECIFICATIONS

- Forged body
- Full port
- NPT – ORB connections
- Delrin ball seats
- Buna-N O-Rings
- Zinc clear coating (RoHs compliant)
- Temp range -20°F to 215°F
- Nickel plated ball

OPTIONS

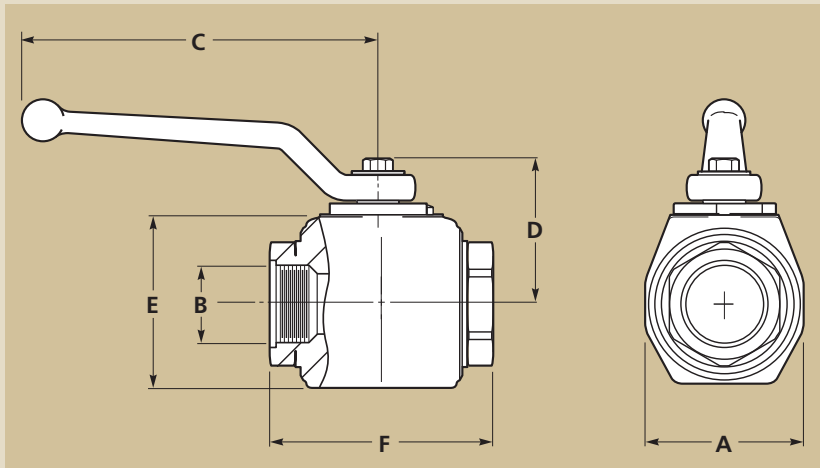
- Lock kits
- Actuator packages
- Straight handles
- Red aluminum handles
- Special ball seats and seals for higher temperature and aggressive applications



SKH SERIES

SIZE	THREAD	PART NUMBER	WORKING PRESSURE		DIMENSIONS (IN.)					
			PSI	BAR	A	B	C	D	E	F
1 1/4	1 1/4 NPT	SKH-114-NPT-3123-2	5880	400	2.99	1.26	8.30	2.60	3.30	4.50
1 1/4	1 5/8-12 ORB	SKH-114-SAE-3123-2	5880	400	2.99	1.26	8.30	2.60	3.30	4.50
1 1/2	1 1/2 NPT	SKH-112-NPT-3123-2	5880	400	3.27	1.50	8.30	2.73	3.62	5.30
1 1/2	1 7/8-12 ORB	SKH-112-SAE-3123-2	5880	400	3.27	1.50	8.30	2.73	3.62	5.30
2	2 NPT	SKH-2-NPT-3123-2	5880	400	3.94	1.89	8.50	3.15	4.37	5.50
2	2 1/2-12 ORB	SKH-2-SAE-3123-2	5880	400	3.94	1.89	8.50	3.15	4.37	5.50

VALVES



See page 65 for full safety information.