

■ Proportional Electro-Hydraulic Relief Valves

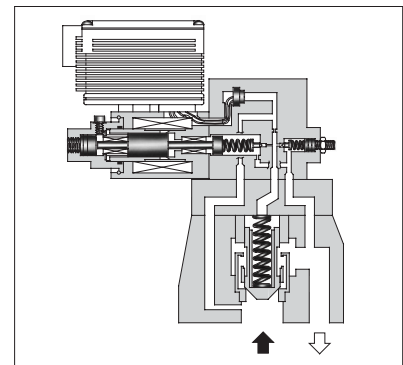
These valves, consist of a small size but high performance EH series electro-hydraulic proportional pilot relief valve and a low noise type relief valve. The valves control the system pressure proportionally through a controlled input voltage.

■ Specifications

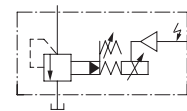
Model Numbers	EHBG-03	EHBG-06	EHBG-10
Description			
Max. Operating Pres.	24.5 MPa (3550 PSI)		
Max. Flow	100 L/min (26.4 U.S.GPM)	200 L/min (52.8 U.S.GPM)	400 L/min (106 U.S.GPM)
Min. Flow	3 L/min (.79 U.S.GPM)	3 L/min (.79 U.S.GPM)	3 L/min (.79 U.S.GPM)
Pressure Adjustment Range	Refer to Model Number Designation		
Coil Resistance	10 Ω		
Hysteresis	2% (1%) * ¹ or less		
Repeatability	1% * ² or less		
Frequency Response	C: 10 (22) Hz * ¹ H: 10 (25) Hz * ¹ (-90 degree)	C: 11 (22) Hz * ¹ H: 13 (24.5) Hz * ¹ (-90 degree)	C: 7 (10.5) Hz * ¹ H: 6 (14) Hz * ¹ (-90 degree)
Supply Electric Power	24 V DC (21 to 28 V DC Included Ripple)		
Power Input (Max.)	28 W		
Input Signal	C: 15.7 MPa (2275 PSI) / 5 V DC H: 24.5 MPa (3550 PSI) / 5 V DC (At Max. Flow)		
Input Impedance	10 kΩ		
Alarm Signal Output (Open Collector)	Voltage: Max. 30 V DC Current: Max. 40 mA		
Pressure Signal Output	C: 5 V DC / 15.7 MPa (2275 PSI) H: 5 V DC / 24.5 MPa (3550 PSI)		
Ambient Temperature	0 - 50°C (32 - 122°F) (With Circulated Air)		

*1. The value in () is for the closed-loop type.

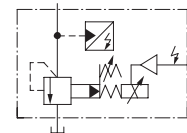
*2. The repeatability of the valve is obtained by having it tested independently on the conditions similar to its original testing.



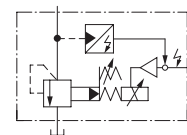
Graphic Symbols



Open-Loop Type



Open-Loop Type with Sensor



Closed-Loop Type

■ Model Number Designation

F-	EHB	G	-03	-C	-S	-50
Special Seals	Series Number	Type of Mounting	Valve Size	Pres. Adj. Range MPa (PSI)	Control Type	Design Number
F: Special Seals for Phosphate Ester Type Fluid (Omit if not required)	EHB: Proportional Electro-Hydraulic Relief Valve	G: Sub-plate Mounting	03	C: 0.6 [0.8] * - 15.7 (85 [115] * - 2275) H: 0.6 [0.8] * - 24.5 (85 [115] * - 3550)	None: Open-Loop	50
			06	C: 0.9 [1.0] * - 15.7 (130 [145] * - 2275) H: 0.9 [1.0] * - 24.5 (130 [145] * - 3550)		S: Open-Loop with Sensor
			10	C: 1.1 [1.4] * - 15.7 (160 [205] * - 2275) H: 1.1 [1.4] * - 24.5 (160 [205] * - 3550)	L: Closed-Loop	50

* Each value of minimum adjustment pressure is of at 50% flow rate of the Max. Flow shown on the Specifications. The value in [] is for the closed-loop type.