

## ■ Proportional Electro-Hydraulic Relieving and Reducing Valves

These valves consist of a small size but high performance electro-hydraulic proportional pilot relief valve and reducing valve with relief function. The valves control the system pressure proportionally through a controlled input voltage.

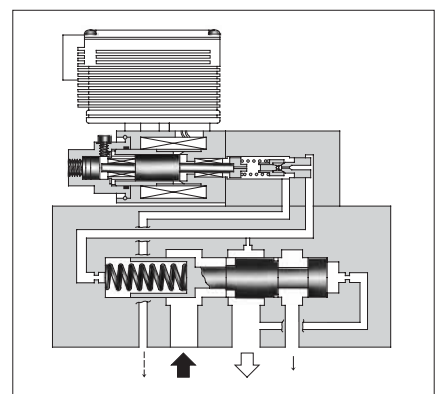
Moreover, a good response speed in reducing the pressure even at a large load capacity can be obtained with the relief function of the valves.



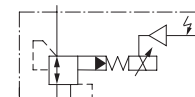
### ■ Specifications

Model Numbers	EHRBG-06	EHRBG-10
Description		
Max. Operating Pres.	24.5 MPa (3550 PSI)	
Max. Flow	100 L/min (26.4 U.S.GPM)	250 L/min (66 U.S.GPM)
Max. Relieving Flow	35 L/min <sup>★1</sup> (9.24 U.S.GPM)	15 L/min <sup>★1</sup> (3.96 U.S.GPM)
Pressure Adjustment Range	Refer to Model Number Designation	
Coil Resistance	10 Ω	
Hysteresis	3% or less	
Repeatability	1% <sup>★2</sup> or less	
Frequency Response	B: 4 Hz C: 3 Hz (-90 degree) H: 3 Hz	
Supply Electric Power	24 V DC (21 to 28 V DC Included Ripple)	
Power Input (Max.)	28 W	
Input Signal	B: 6.9 MPa (1000 PSI) / 5 V DC C: 13.7 MPa (2000 PSI) / 5 V DC H: 20.6 MPa (3000 PSI) / 5 V DC (at Flow Rate Zero)	
Input Impedance	10 k Ω	
Pressure Signal Output	B: 5 V DC / 6.9 MPa (1000 PSI) C: 5 V DC / 13.7 MPa (2000 PSI) H: 5 V DC / 20.6 MPa (3000 PSI)	
Ambient Temperature	0 - 50°C (32 - 122°F) (With Circulated Air)	

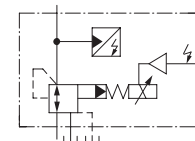
- ★1. The figures shown are those obtained where the differential pressure between the secondary pressure port and tank port is 14 MPa (2030 PSI).
- ★2. The repeatability of the valve is obtained by having it tested independently on the conditions similar to its original testing.



Graphic Symbols



Open-Loop Type



Open-Loop Type with Sensor

### ■ Model Number Designation

F-	EHRB	G	-06	-C	-S	-50
Special Seals	Series Number	Type of Mounting	Valve Size	Pres. Adj. Range MPa (PSI)	Control Type	Design Number
F: Special Seals for Phosphate Ester Type Fluid (Omit if not required)	EHRB: Proportional Electro-Hydraulic Relieving & Reducing Valve	G: Sub-plate Mounting	06	B: 0.8 - 6.9 (115 - 1000) C: 1.2 - 13.7 (175 - 2000) H: 1.5 - 20.6 (220 - 3000)	None: Open-Loop	50
			10	B: 0.9 - 6.9 (130 - 1000) C: 1.2 - 13.7 (175 - 2000) H: 1.5 - 20.6 (220 - 3000)	S: Open-Loop with Sensor	50