

High Response Type Proportional Electro-Hydraulic Directional and Flow Control Valves

High response, high precision and high reliability are achieved by a combination of a compact and powerful solenoid and a spool-position-detection LVDT.

Direct type ELDFG-01/03 and two stage type ELDFG-04/06 (which use the ELDFG-01 as a pilot) are available.

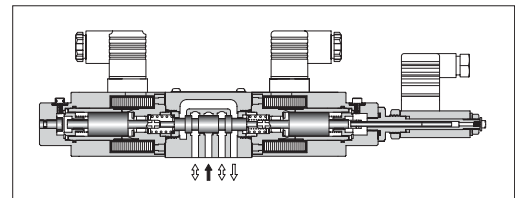
Direct Operated Type Directional and Flow Control Valves

This product can be interchanged with the simplified servo valve to perform position control and pressure control.

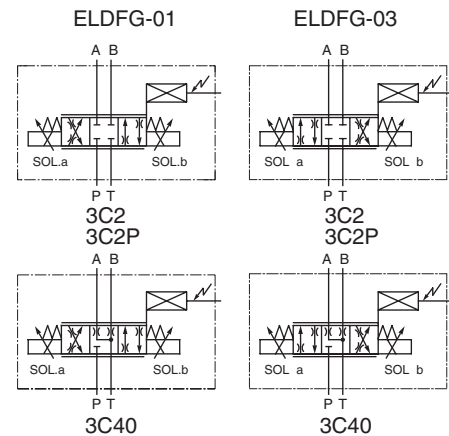
Compared to nozzle flapper type servo valve, this product has excellent contamination-related problems.

Specifications

Description		Model No.	ELDFG-01	ELDFG-03
Max. Operating Pressure		MPa (PSI)	31.5 (4570)	
Max. Tank Line Back Pressure		MPa (PSI)	21 (3050)	
Rated Flow	L/min (U.S.GPM)		10: 10 (2.6) 20: 20 (5.3) 35: 35 (9.2)	40: 40 (10.6) 80: 80 (21.1)
Valve Pres. Diff. : 1.5 MPa (220 PSI)				
Hysteresis			0.5% or less	
Repeatability			0.5% or less	
Step Response (Typical Rating)	0 → 100%		30 ms	3C2, 3C40: 29 ms 3C2P: 25 ms
	100 → 0%		38 ms	3C2, 3C40: 26 ms 3C2P: 23 ms
Frequency Response (0 ±25 %V)	Phase -90 degree		48 Hz	3C2, 3C40: 36 Hz 3C2P: 41 Hz
	Gain -3 dB		52 Hz	3C2, 3C40: 35 Hz 3C2P: 38 Hz
Rated Current			Max. 2.5 A	Max. 3 A
Coil Resistance [20°C (68°F)]			3.9 Ω	3 Ω
Power Input			Max. 25 W	Max. 27 W
Approx. Mass		kg (lbs.)	3.2 (7.1)	7.5 (16.5)



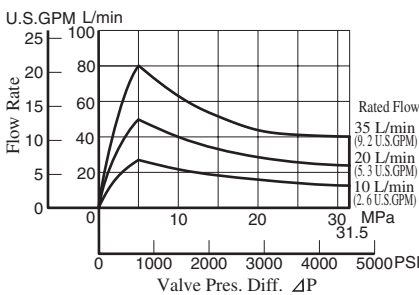
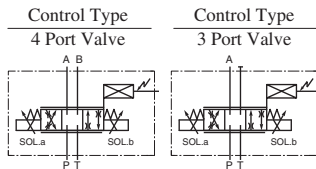
Graphic Symbols



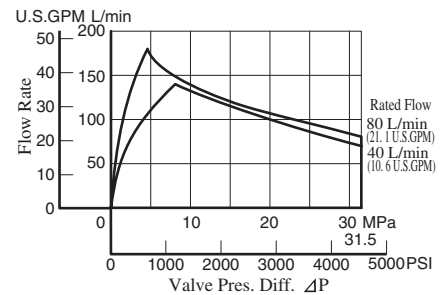
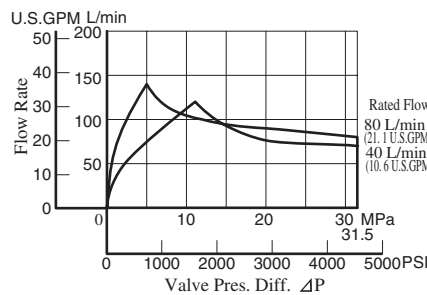
Range of Flow Control

See “Valve Pres. Difference vs. Flow Rate” below characteristics for the appropriate range.

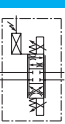
ELDFG-01



ELDFG-03



★ Valve pressure difference “ΔP” is reference by follows. In addition, “P”, “A”, “B”, “T”, are pressure of each port.
 4 Port Valve: ΔP = [(P-A) + (B-T)] or [(P-B) + (A-T)]
 3 Port Valve: ΔP = (P-A) or (A-T)



Model Number Designation

F-	ELDF	G	-01	-35	-3C2	-XY	-10	*
Special Seals	Series Number	Type of Mounting	Valve Size	Rated Flow L/min (U.S.GPM)	Spool Type	Direction of Flow	Design Number	Design Standards
F: Special Seals for Phosphate Ester Type Fluid (Omit if not required)	ELDF: High Response (Direct) Type Proportional Electro-Hydraulic Directional and Flow Control Valves	G: Sub-plate Mounting	01	10: 10 (2.6) 20: 20 (5.3) 35: 35 (9.2)		XY: Metre-In · Metre-Out	10	Refer to ★
			03	40: 40 (10.6) 80: 80 (21.1)			10	

★ Design Standards: None Japanese Standard "JIS" and European Design Standard 90 N. American Design Standard

Attachment

Mounting Bolts

Four socket head cap screws in the table below are included.

Model No.	Descriptions	Soc. Hd. Cap Screw (4 pcs.)	Tightening Torque
ELDFG-01	Japanese Standard "JIS" European Design Standard	M5 × 45 Lg.	5 - 7 Nm (43 - 60 in. lbs.) [Applicable to working pressure more than 25 MPa (3630 PSI): 6 - 7 Nm (52 - 60 in. lbs.)]
	N. American Design Standard	No. 10-24 UNC × 1-3/4 Lg.	
ELDFG-03	Japanese Standard "JIS" European Design Standard	M6 × 35 Lg.	12 - 15 Nm (106 - 133 in. lbs.)
	N. American Design Standard	1/4-20 UNC × 1-1/2 Lg.	

Sub-plate

Valve Model Numbers	Piping Size	Japanese Standard "JIS"		European Design Standard		N. American Design Standard		Approx. Mass kg (lbs.)
		Sub-plate Model Numbers	Thread Size	Sub-plate Model Numbers	Thread Size	Sub-plate Model Numbers	Thread Size	
ELDFG-01	1/8	DSGM-01-31	Rc 1/8	DSGM-01-3180	1/8 BSPF	DSGM-01-3190	1/8 NPT	0.8 (1.8)
	1/4	DSGM-01X-31	Rc 1/4	DSGM-01X-3180	1/4 BSPF	DSGM-01X-3190	1/4 NPT	0.8 (1.8)
	3/8	DSGM-01Y-31	Rc 3/8	—	—	DSGM-01Y-3190	3/8 NPT	0.8 (1.8)
ELDFG-03	3/8	DSGM-03-40	Rc 3/8	DSGM-03-2180	3/8 BSPF	DSGM-03-2190	3/8 NPT	3.0 (6.6)
	1/2	DSGM-03X-40	Rc 1/2	DSGM-03X-2180	1/2 BSPF	DSGM-03X-2190	1/2 NPT	3.0 (6.6)
	3/4	DSGM-03Y-40	Rc 3/4	DSGM-03Y-2180	3/4 BSPF	DSGM-03Y-2190	3/4 NPT	4.7 (10.4)

- Sub-plates are available. Specify the sub-plate model number from the table above. When sub-plates are not used, the mounting surface should have a good machined finish.
- The Sub-plates are those for 1/8 and 3/8 solenoid operated directional valves. For dimensions, see page 356 and 373.

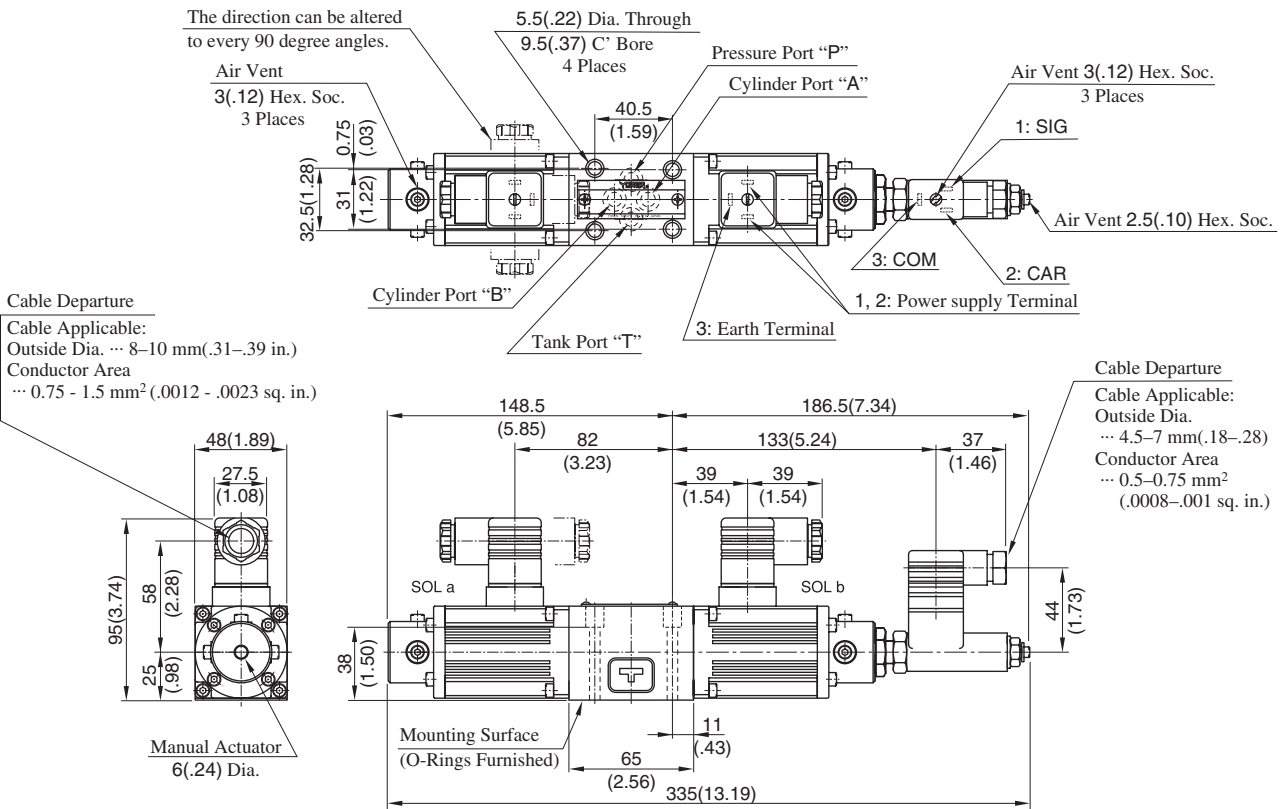
Applicable Power Amplifiers

For stable performance, it is recommended that Yuken's applicable power amplifiers be used (for details see page 786).

Valve Model Numbers	Power Amplifier Model Numbers
ELDFG-01-* - ^{3C2} / _{3C40}	AMN-L-01-1-10
ELDFG-01-* -3C2P	AMN-L-01-3-2P-10
ELDFG-03-* - ^{3C2} / _{3C40}	AMB-EL-03-1-10
ELDFG-03-* -3C2P	AMB-EL-03-2P-1-10

ELDFG-01--XY-10/1090**

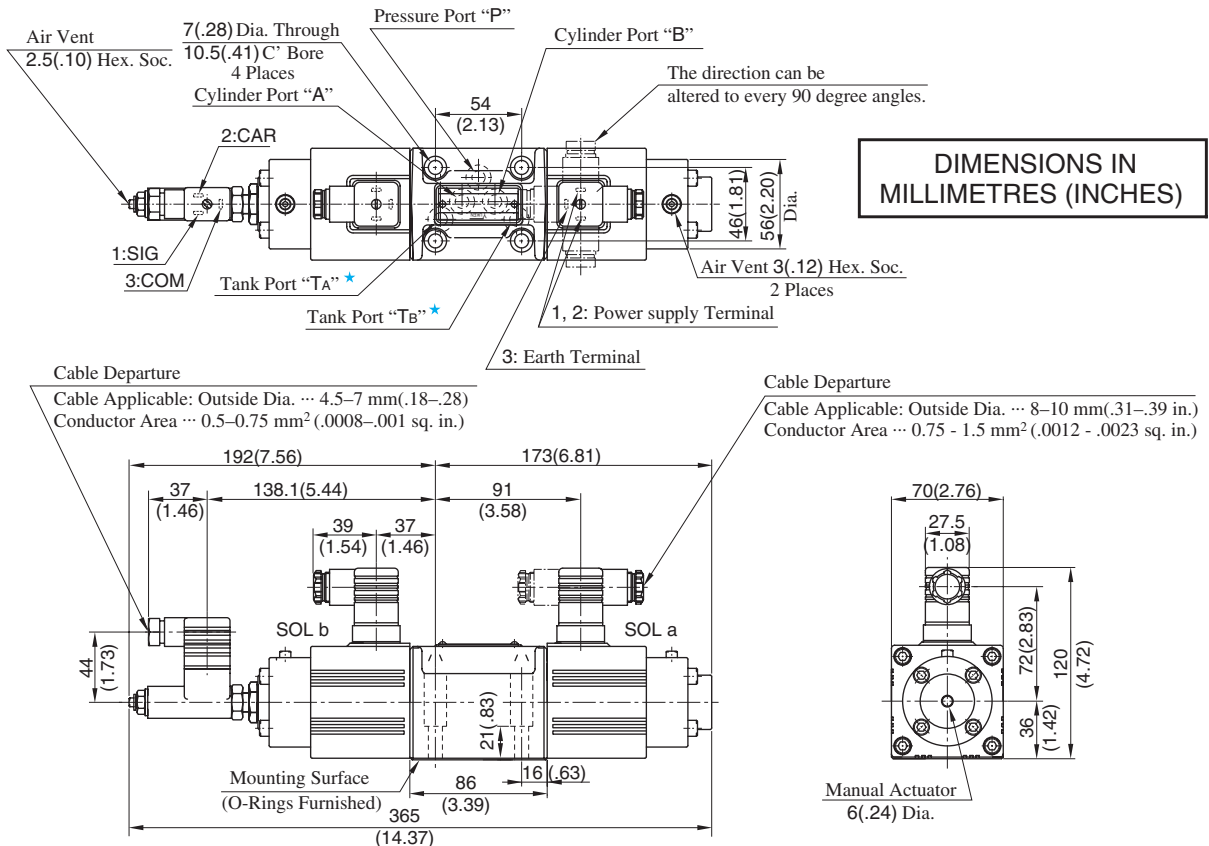
Mounting surface: Conform to ISO4401-AB-03-4-A.



Note: For valve mounting surface dimensions, see the dimensional drawings of sub-plates (p.356) in common use.

ELDFG-03--XY-10/1090**

Mounting surface: Conform to ISO4401-AC-05-4-A.



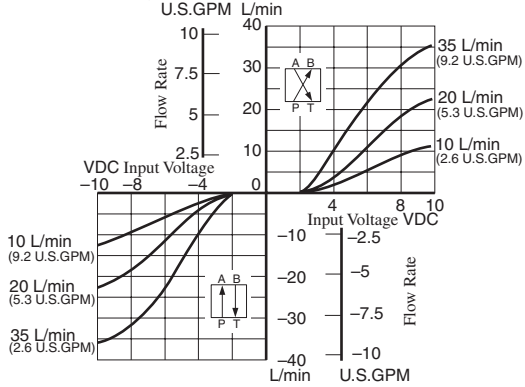
Note: For valve mounting surface dimensions, see the dimensional drawings of sub-plates (p.373) in common use.

H
E Series
Direct Operated Type Directional and Flow Control Valves

Input Voltage vs. Flow Rate

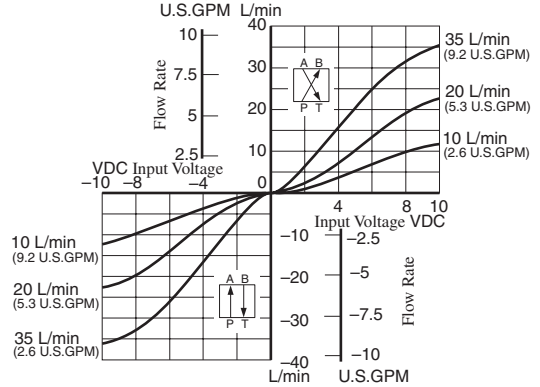
ELDFG-01-* -3C2/3C40

Valve Pres. Diff. : 1.2 MPa (174 PSI)
 Viscosity : 30 mm²/s (141 SSU)



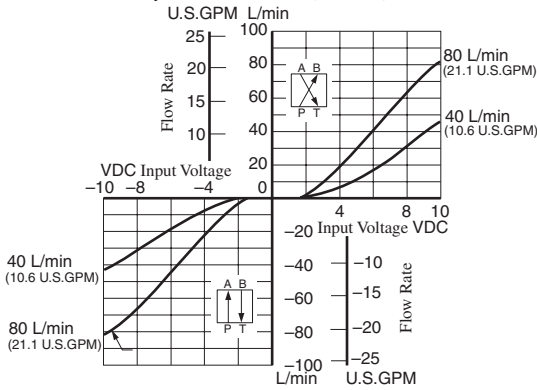
ELDFG-01-* -3C2P

Valve Pres. Diff. : 1.2 MPa (174 PSI)
 Viscosity : 30 mm²/s (141 SSU)



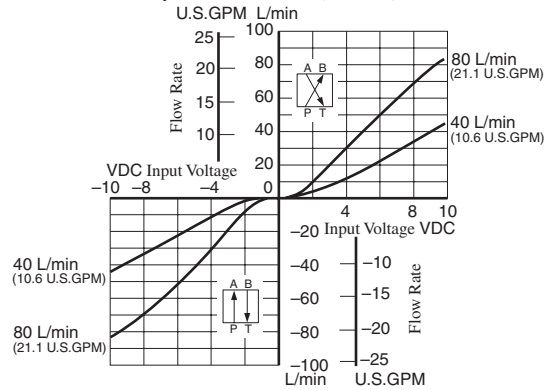
ELDFG-03-* -3C2/3C40

Valve Pres. Diff. : 1.5 MPa (218 PSI)
 Viscosity : 30 mm²/s (141 SSU)



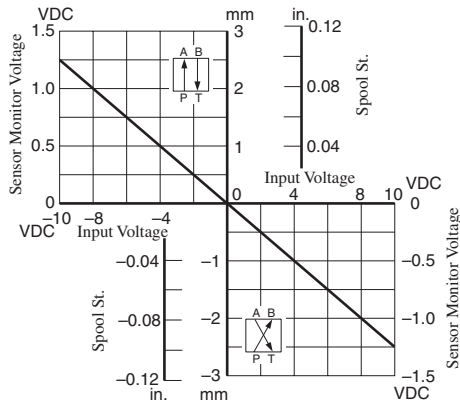
ELDFG-03-* -3C2P

Valve Pres. Diff. : 1.5 MPa (218 PSI)
 Viscosity : 30 mm²/s (141 SSU)

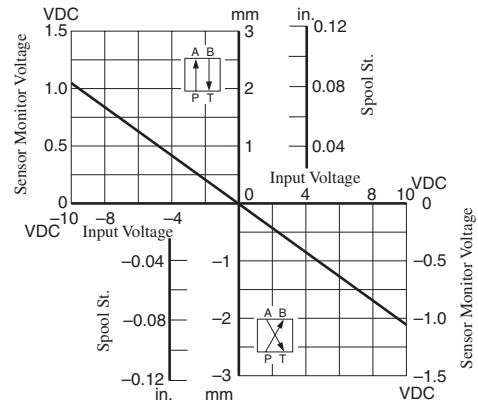


Input Voltage vs. Spool St.

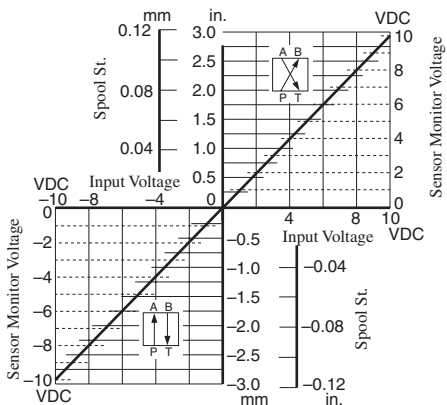
ELDFG-01-* -3C2/3C40



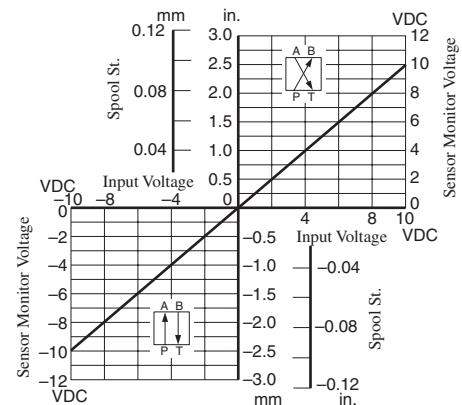
ELDFG-01-* -3C2P



ELDFG-03-* -3C2/3C40



ELDFG-03-* -3C2P



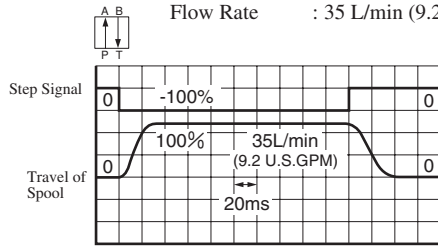
Step Response (Example)

Viscosity : 30 mm²/s (140 SSU)

The values were measured on independent valves. They vary by circuit.

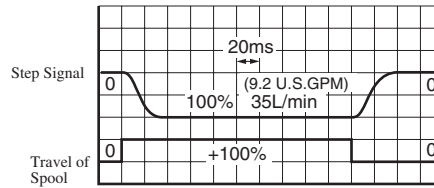
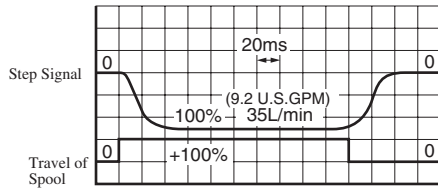
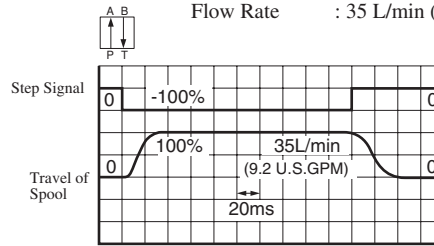
ELDFG-01-35-3C2/3C40

Supply Pressure : 2 MPa (290 PSI)
Flow Rate : 35 L/min (9.2 U.S.GPM)



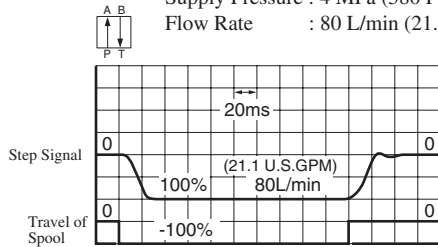
ELDFG-01-35-3C2P

Supply Pressure : 2 MPa (290 PSI)
Flow Rate : 35 L/min (9.2 U.S.GPM)



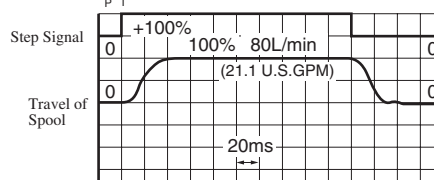
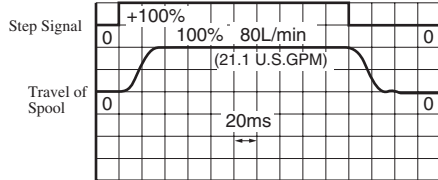
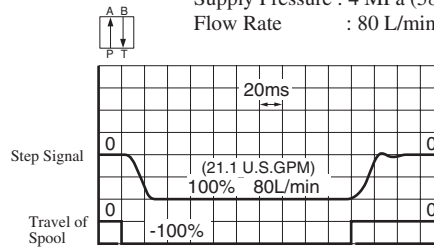
ELDFG-03-80-3C2/3C40

Supply Pressure : 4 MPa (580 PSI)
Flow Rate : 80 L/min (21.1 U.S.GPM)



ELDFG-03-80-3C2P

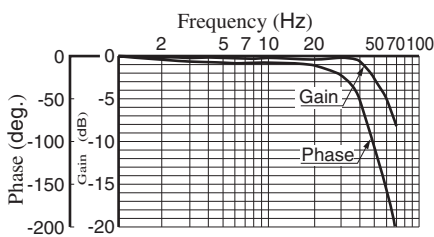
Supply Pressure : 4 MPa (580 PSI)
Flow Rate : 80 L/min (21.1 U.S.GPM)



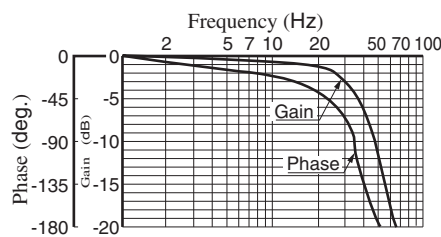
Frequency Response

Input Signal : 0 ±25 %V
Primary Pressure : 14 PMa (2030 PSI)
Viscosity : 30 mm²/s (140 SSU)

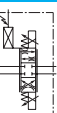
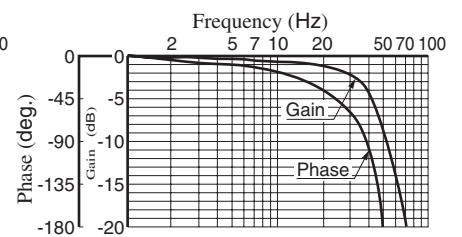
ELDFG-01-35-3C2/3C40/3C2P



ELDFG-03-80-3C2/3C40

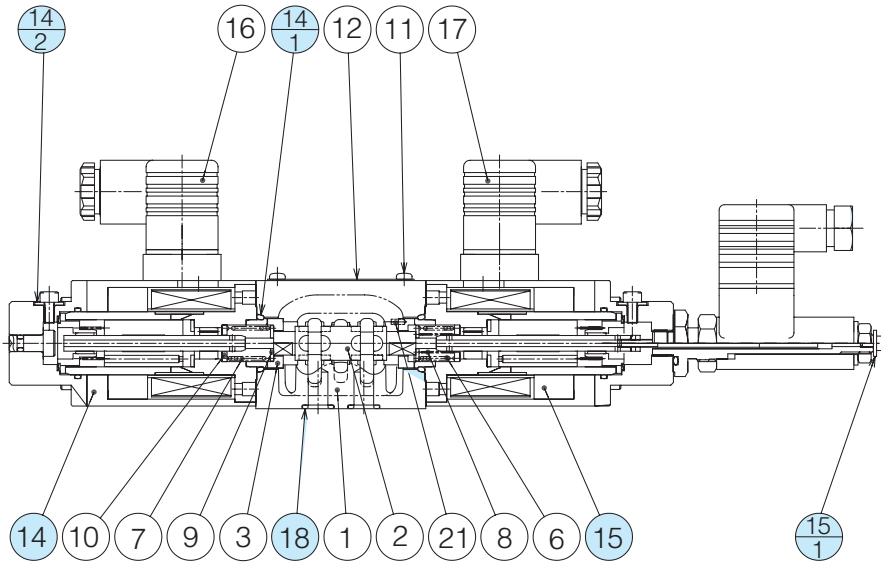


ELDFG-03-80-3C2P



■ List of Seals and Solenoid Ass'y

ELDFG-01-*-*-XY-10/1090



● List of Seals

Item	Name of Parts	Part Numbers	Qty.	Remarks
14-1	O-Ring	SO-NB-P18	2	Included in Seal Kit Kit No.: KS-ELDFG-01-10
14-2	Fastner Seal	SG-FCF-4	2	
15-1	Fastner Seal	TK280152-0	1	
18	O-Ring	SO-NB-P9	4	

Note) O-ring (Item 14-1) and the fastner sael (Item 14-2, 15-1) are included in the solenoid assembly.

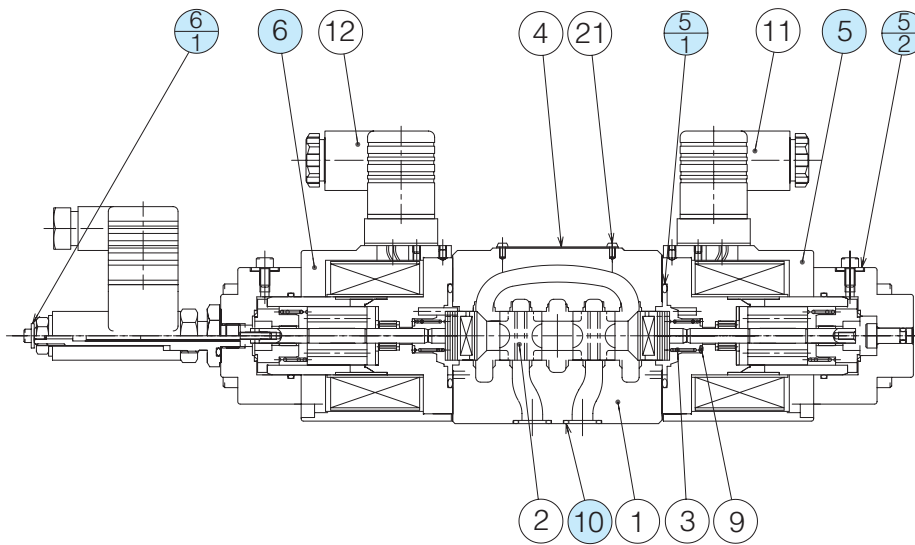
● Solenoid Ass'y

Valve Model Numbers	Item	Solenoid Ass'y	Qty.
ELDFG-01-*-*-XY-10/1090	14	E318-Y06M2-14-5007	1
	15	E318-Y06M2-14-L-5007	1

Note) The connector assembly GDM-211-*-11 (Item 16, 17) is not included in the solenoid assembly.

List of Seals and Solenoid Ass'y

ELDFG-03-**-**-XY-10/1090



List of Seals

Item	Name of Parts	Part Numbers	Qty.	Remarks
5-1	O-Ring	SO-NB-A128	2	Included in Seal Kit Kit No.: KS-ELDFG-03-10
5-2	Fastner Seal	SG-FCF-4	2	
6-1	Fastner Seal	TK280152-0	1	
10	O-Ring	SO-NB-A014	4	

Note) O-ring (Item 5-1) and the fastener sael (Item 5-2, 6-1) are included in the solenoid assembly.

Solenoid Ass'y

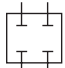

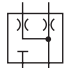
Valve Model Numbers	Item	Solenoid Ass'y	Qty.
ELDFG-03-**-**-XY-10/1090	5	E324-Y12M2-28-10	1
	6	E324-Y12M2-28-L-10	1

Note) The connector assembly GDM-211-**-11 (Item 11, 12) is not included in the solenoid assembly.

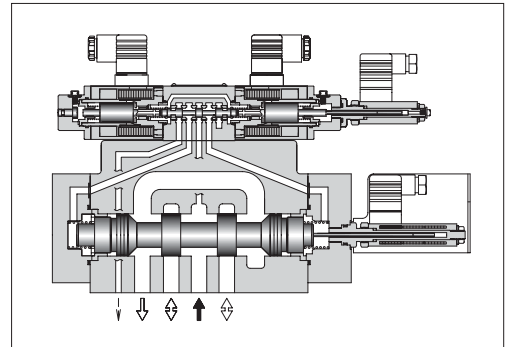
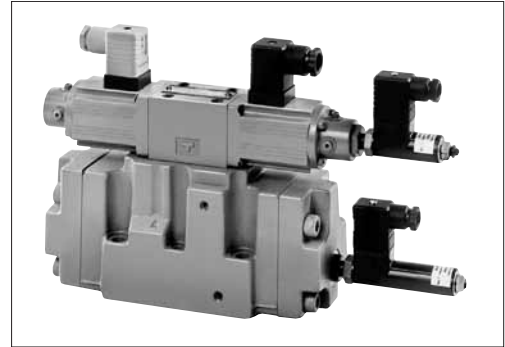
H
E Series
Direct Operated Type Directional and Flow Control Valves

Two Stage Type Directional and Flow Control Valves

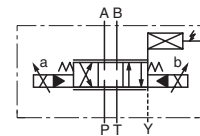
Specifications

Description	Model No.	ELDFHG-04	ELDFHG-06
Rated Flow L/min (U.S.GPM) Valve Pres. Diff. : 1 MPa (145 PSI)		280 (74.0)	350: 350 (92.5) 500: 500 (132.1)
Max. Operating Pressure MPa (PSI)		35 (5080)	350: 35 (5080) 500: 31.5 (4570)
Proof Pressure at Return Port ^{★1} (External Drain) MPa (PSI)		"T" Port : 31.5 (4570) "Y" Port : 21 (3050)	350 "T" Port : 35 (5080) "Y" Port : 21 (3050) 500 "T" Port : 25 (3630) "Y" Port : 21 (3050)
Proof Pressure at Return Port (Internal Drain) MPa (PSI)		21 (3050)	
Pilot Pressure ^{★2} MPa (PSI)		1.5–31.5 (218–4570)	
Pilot Flow ^{★3}		16 L/min or more	350: 16 L/min or more 500: 19 L/min or more
Null Leakage ^{★4} Ps=14 MPa (2030 PSI), Pp=14 MPa (2030 PSI)		3C2: 3 L/min or less 3C2P: 10 L/min or less	3C40: 4 L/min or less
Step Response (Typical Rating) (0↔100%) Pp=14 MPa (2030 PSI)		13 ms	350: 15 ms 500: 18 ms
Frequency Response (0±25%V, Phase) Pp=14 MPa (2030 PSI)		46 Hz (–90 degree)	350: 66 Hz (–90 degree) 500: 39 Hz (–90 degree)
Water - Proofness		IP64	
Operating Temperature Range		–15 – +60 °C (5–140°F)	
Spool Type		3C2:  3C2P:  (Zero Rap) 3C40: 	
Approximate Spool Stroke to Stops		±5 mm (±.20 in.)	350: ±5 mm (±.20 in.) 500: ±7 mm (±.28 in.)
Main Spool End Area cm ² (sq. in.)		7.1 (1.10)	8 (1.24)
Rated Current		Max. 2.5 A	
Coil Resistance [20 °C (68 °F)]		3.9 Ω	
Approx. Mass kg (lbs.)		10 (22.0)	350: 18 (39.7) 500: 19 (41.9)

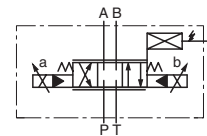
- ★1. Return pressure should be less than the actual supply pressure.
- ★2. Pilot pressure should be between 1.5 MPa (218 PSI) and 3.5 MPa (508 PSI), and should exceed 60% of the actual supply pressure to main valve.
- ★3. Pilot flow is calculated with the above step response time at pilot pressure 14 MPa (2030 PSI).
- ★4. Added up leakage of main and pilot spools are stated.



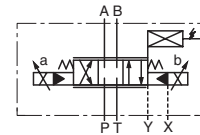
Graphic Symbols



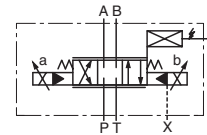
Internal Pilot / External Drain Type



Internal Pilot / Internal Drain Type

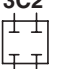
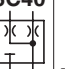



External Pilot / External Drain Type



External Pilot / Internal Drain Type

Model Number Designation

F-	ELDFH	G	-04	-280	-3C2P	-XY	-E	T	-10	*
Special Seals	Series Number	Type of Mounting	Valve Size	Rated Flow L/min (U.S.GPM)	Spool Type	Direction of Flow	Pilot Connection	Drain Connection	Design Number	Design Standards
F: Special Seals for Phosphate Ester Type Fluids (Omit if not required)	ELDFH: High Response (Two Stage) Type Proportional Electro-Hydraulic Directional and Flow Control Valves	G: Sub-Plate Mounting	04	280: 280(74.0)	3C2  3C40 	XY : Metre-in • Metre-out	None: Internal Pilot	None: External Drain	10	Refer to ^{★1}
			06	350: 350(92.5) 500: 500(132.1)	3C2P  (Zero Lap)		E: External Pilot	T: External Drain	10	

★1. Design Standards: None Japanese Standard "JIS" and European Design Standard 90 N. American Design Standard

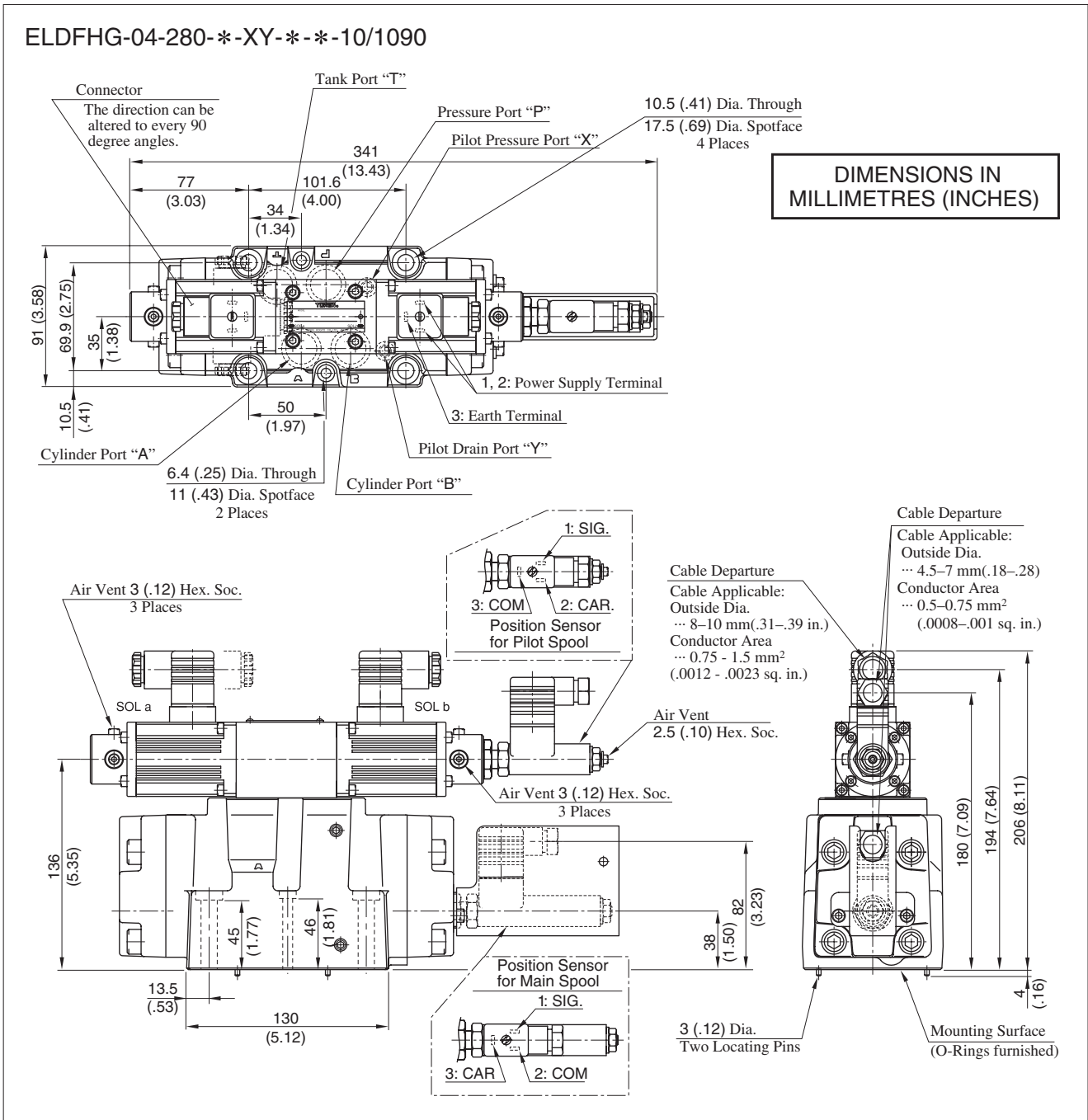
Applicable Power Amplifiers

For stable performance, it is recommended that Yuken's applicable power amplifiers be used (for details see [page 786](#)).
 Model Numbers: AMB-EL-**-**-10

Attachment

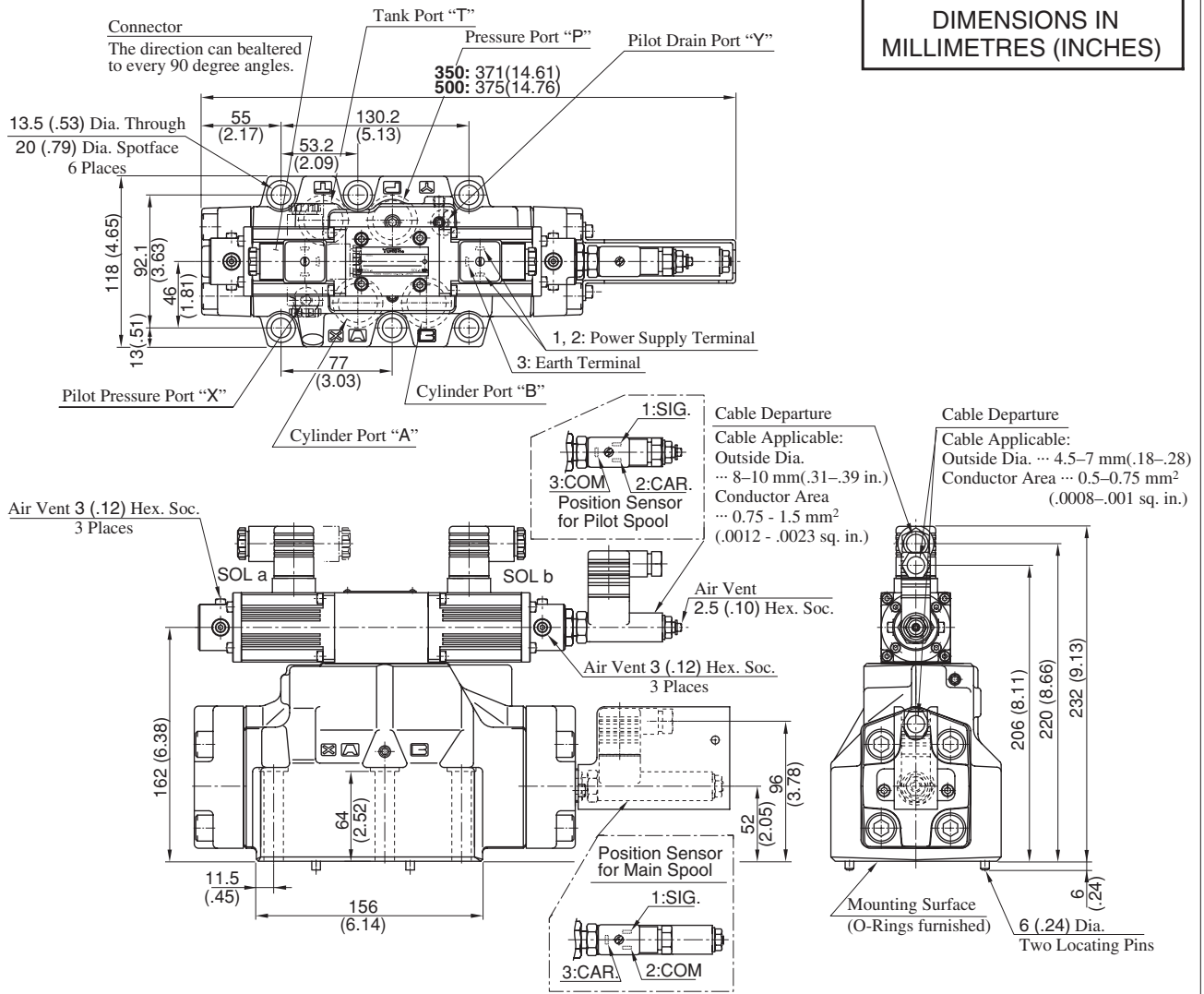
Mounting Bolts

Model Numbers	Socket Head Cap Screw			Qty.	Tightening Torque Nm (in. lbs.)
	Japanese Standard "JIS" European Design Standard	N. American Design Standard			
ELDFHG-04	M6 × 55 Lg.	1/4-20 UNC × 2-1/4 Lg.		2	12 - 15 (106 - 133)
	M10 × 60 Lg.	3/8-16 UNC × 2-1/2 Lg.		4	58 - 72 (513 - 637)
ELDFHG-06	M12 × 85 Lg.	1/2-13 UNC × 3-1/2 Lg.		6	100 - 123 (885 - 1089)



E Series
Two Stage Type Directional and Flow Control Valves

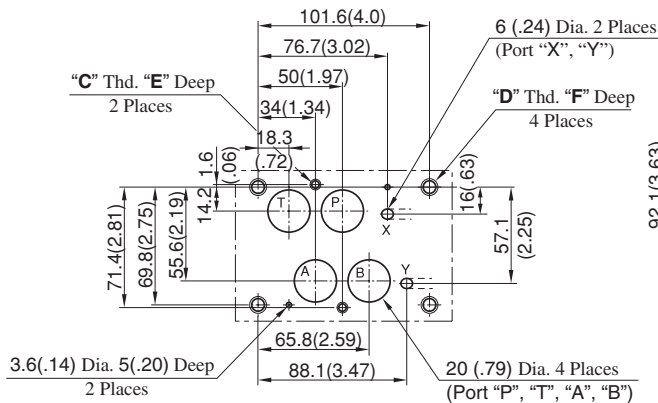
ELDFHG-06-*-*-XY-*-*-10/1090



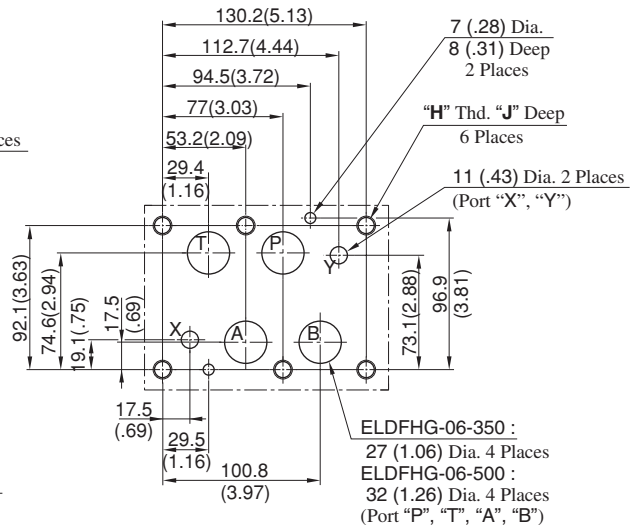
Dimensions of valve mounting surface

Prepare a mounting surface as shown to the below.
Also finish it finely.

● **ELDFHG-04**



● **ELDFHG-06**

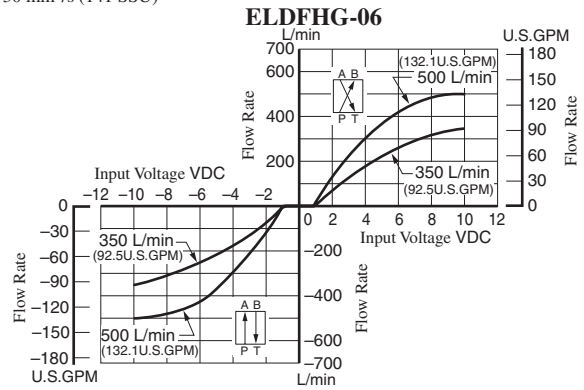
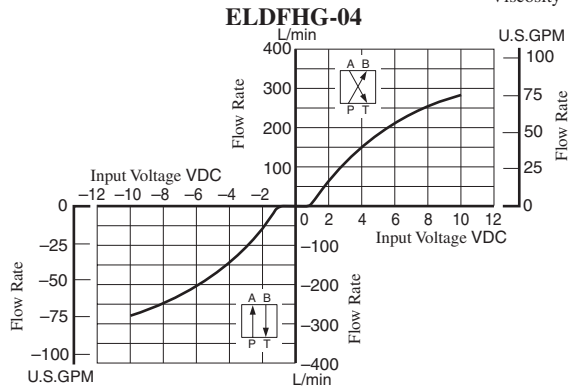


Model Numbers	"C" Thd.	"D" Thd.	"E" mm (in.)	F mm (in.)
ELDFHG-04-*-*-10	M6	M10	12 (.47)	17 (.67)
ELDFHG-04-*-*-1090	1/4-20 UNC	3/8-16 UNC	14 (.55)	20 (.79)

Model Numbers	"H" Thd.	J mm (in.)
ELDFHG-06-*-*-10	M12	24 (.94)
ELDFHG-06-*-*-1090	1/2-13 UNC	28 (1.10)

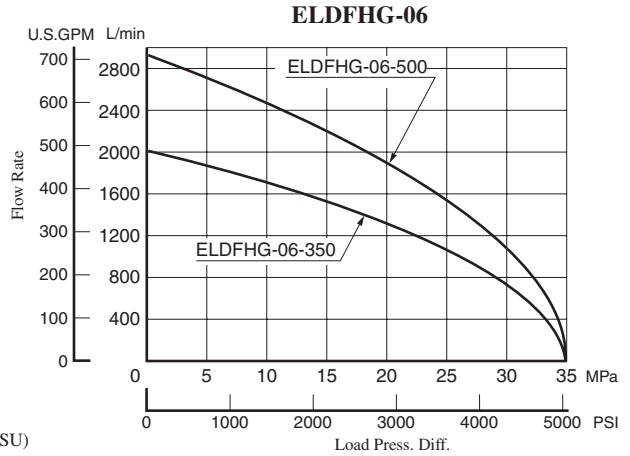
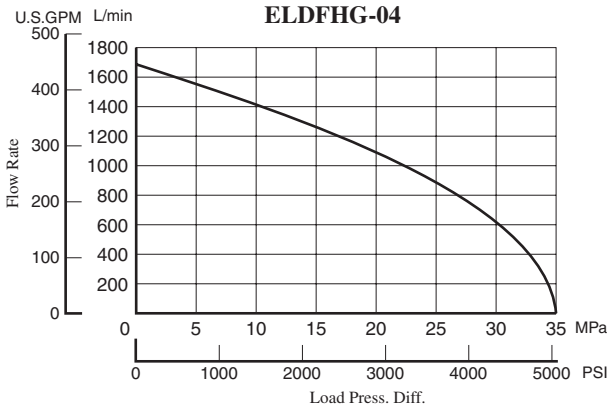
Input Voltage vs. Flow Rate

Valve Pres. Diff. : 1 MPa (145 PSI)
 Viscosity : 30 mm²/s (141 SSU)



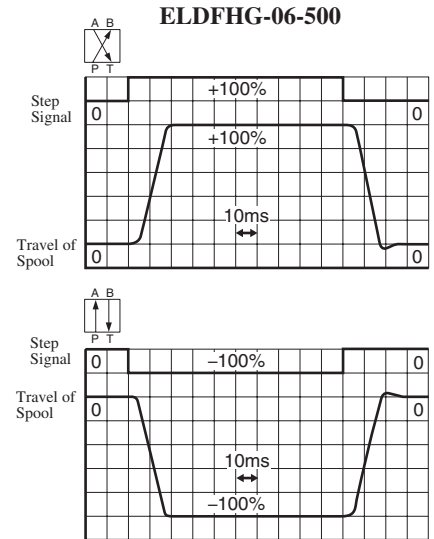
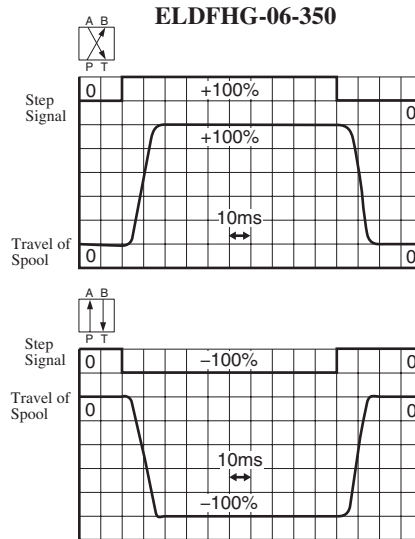
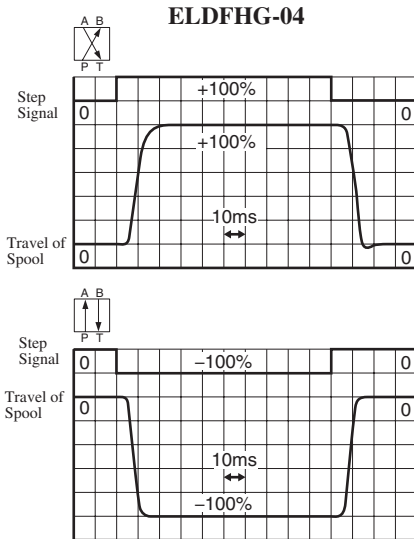
Load Flow Characteristics

Viscosity : 30 mm²/s (141 SSU)



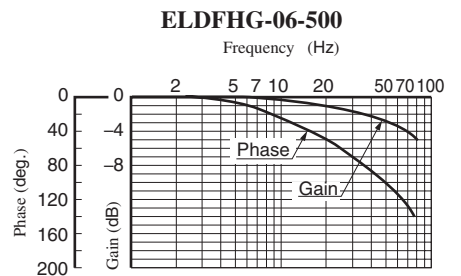
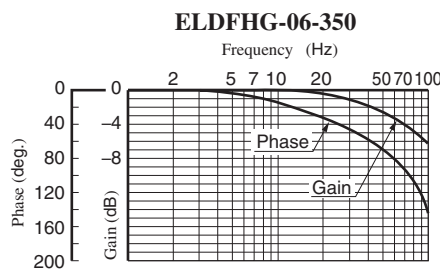
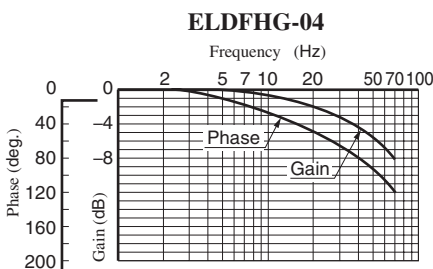
Step Response (Example)

Viscosity : 30 mm²/s (141 SSU)



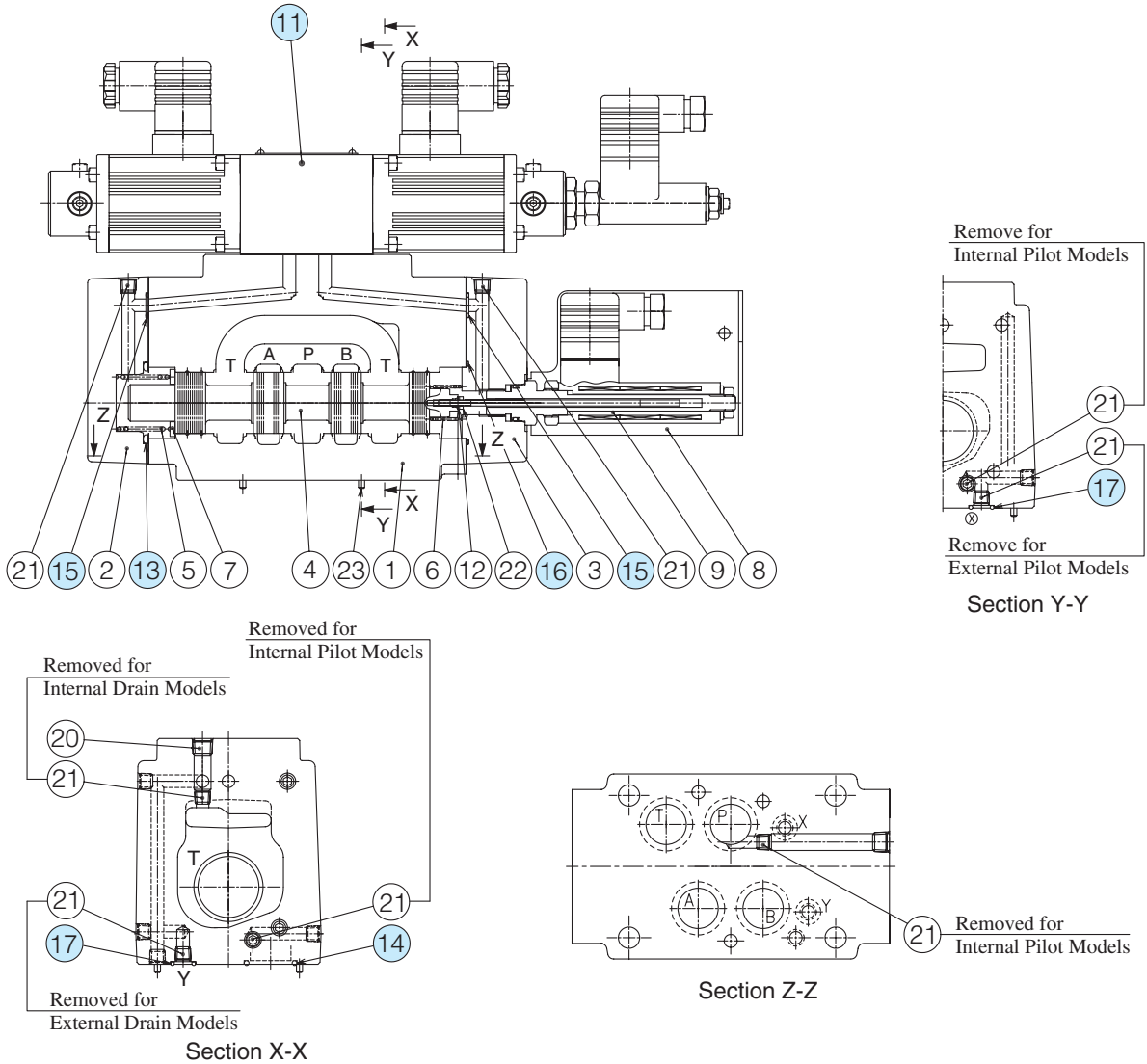
Frequency Response

Input Signal : 0 ± 25 %
 Hydraulic Circuit : Port A/B Closed
 Supply and Pilot Pressure : 14 PMa (2030 PSI)
 Viscosity : 30 mm²/s (140 SSU)



■ List of Seals and Pilot Valve

ELDFHG-04-280-*-XY-**-10/1090



● List of Seals

Item	Name of Parts	Part Numbers	Qty.	Remarks
13	O-Ring	SO-NB-P39	1	Included in Seal Kit Kit No.: KS-ELDFHG-01-10
14	O-Ring	SO-NB-P22	4	
15	O-Ring	SO-NB-P9	2	
16	O-Ring	SO-NB-A029	1	
17	O-Ring	SO-NB-A012	2	

● Pilot Valve

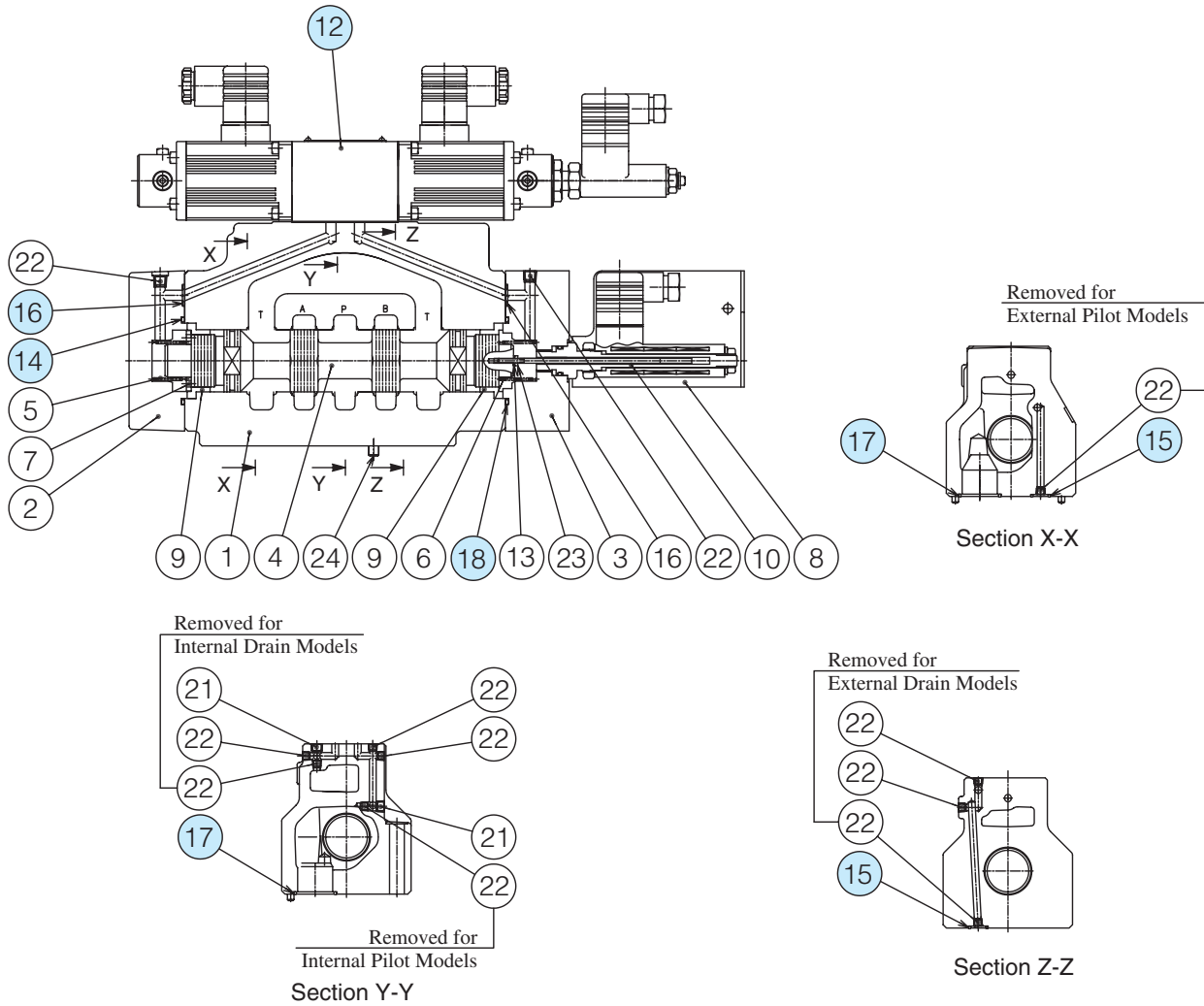
Valve Model No.	⑪ Pilot Valve Model No.
ELDFHG-04	ELDFG-01-30-3C2P-XY-1004

Note) See ELDFG-01-*-XY-10/1090 on page 758 for the corresponding seal and solenoid assembly for the pilot valve.

Note: When ordering seals, please specify the seal kit number from the table above. In addition to the above o-rings, seals for pilot valve are included in the seal kit. For the detail of the pilot valve seals, see page 758.

List of Seals and Pilot Valve

ELDFHG-06-**-**-XY-**-10/1090



List of Seals

Item	Name of Parts	Part Numbers		Qty.
		ELDFHG-06-350	ELDFHG-06-500	
14	O-Ring	SO-NB-P40	SO-NB-A135	1
15	O-Ring	SO-NB-P14		2
16	O-Ring	SO-NB-P10		2
17	O-Ring	SO-NB-A123	SO-NB-A126	4
18	O-Ring	SO-NB-A030	SO-NB-A135	1

Note: When ordering seals, please specify the seal kit number from the table above. In addition to the above o-rings, seals for pilot valve are included in the seal kit. For the detail of the pilot valve seals, see page 758.

Pilot Valve

Valve Model No.	⑫ Pilot Valve Model No.
ELDFHG-06	ELDFG-01-30-3C2P-XY-1006

Note) See ELDFG-01-**-**-XY-10/1090 on page 758 for the corresponding seal and solenoid assembly for the pilot valve.

Seal Kit Numbers

Valve Model Numbers	Seal Kit Numbers
ELDFHG-06-350-**-XY-**-10/1090	KS-ELDFHG-06-350-10
ELDFHG-06-500-**-XY-**-10/1090	KS-ELDFHG-06-500-10